



# Spray Paver

Parts Manual

©2019 Integral dx. All rights reserved

Revision 06.06.19, Revision G

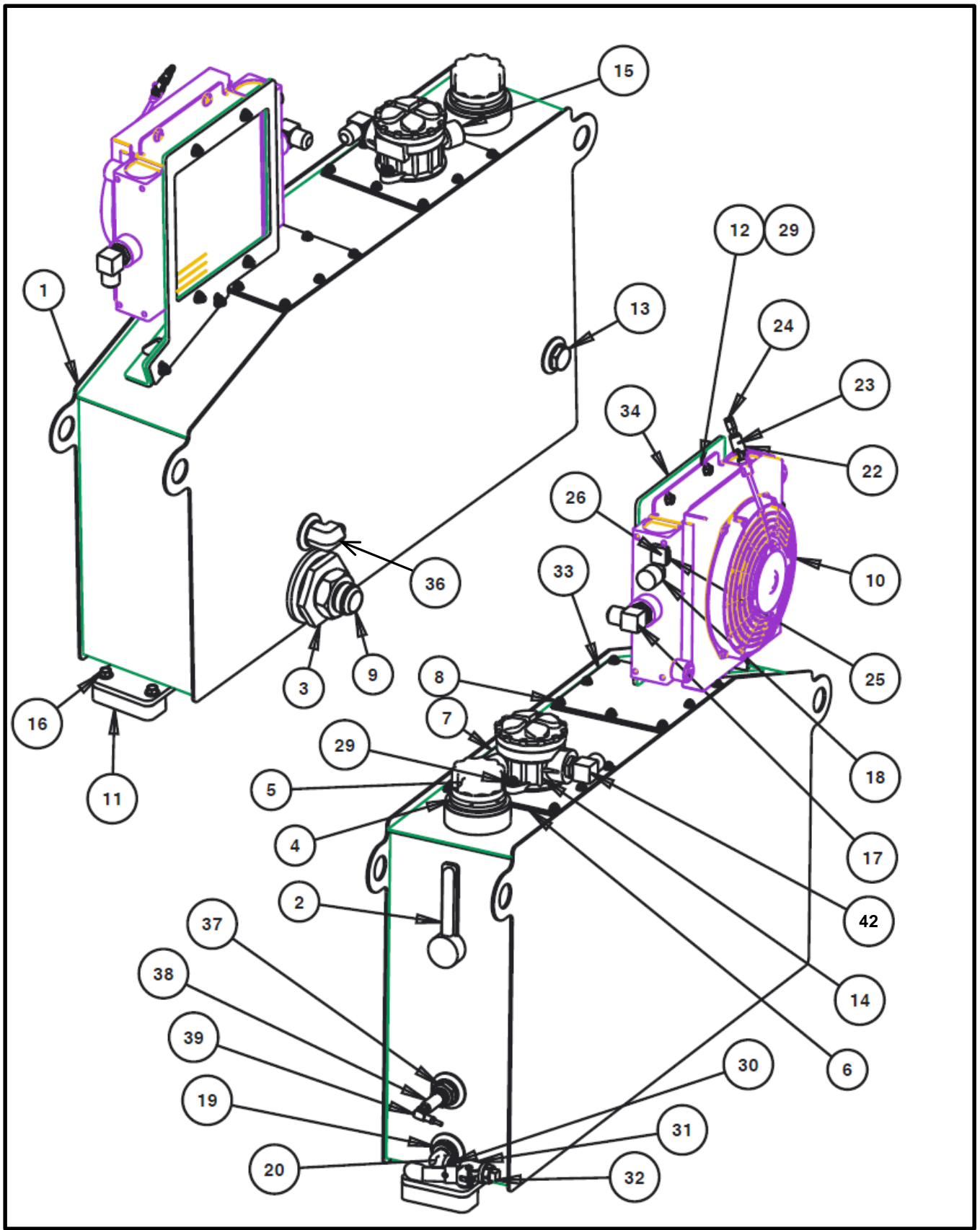
[www.integraldx.com](http://www.integraldx.com)

# Table of Contents

Hydraulic Reservoir Assembly IDX20500 .....	4
Hydraulic Hoses, Adapters, and Pump Schematic .....	6
Air Compressor Assembly IDX20520.....	12
Solenoid Valve Manifold and Enclosure Assembly IDX23420.....	25
Pneumatic Hoses.....	27
Emulsion Tank Group IDX21000 .....	33
Hopper Sleeve Assembly IDX21290 .....	35
Emulsion Tank, Left IDX21055 .....	37
Emulsion Tank, Right IDX21057 .....	41
Emulsion Pumping Station IDX22000 .....	45
Strainer Housing IDX10070 .....	57
CLEANOUT TANK IDX21370 (OPTION) .....	59
Rear Spay Bar for Wheeled Paver, Left IDX23610 .....	61
Rear Spay Bar for Wheeled Paver, Right IDX23611 .....	63
Rear Spay Bar for Tracked Paver, Left IDX23606 .....	65
Rear Spay Bar for Tracked Paver, Right IDX23607 .....	67
Front Spray Bar Housing IDX23018.....	69
Front Spray Bar Housing Spacers .....	71
Center Spray Bar 6" Spacing IDX23620.....	72
Telescoping Spray Bar 6" Spacing, Left IDX23022 .....	74
Telescoping Spray Bar 6" Spacing, Right IDX23624 .....	76
Swing Arm, Left IDX23242 .....	78
Swing Arm, Right IDX23243 .....	80
Emulsion Hoses .....	82
Spray Wand IDX11039 .....	84
Tank Heating System IDX21001 .....	86
Tank Heating System Enclosure IDX21004 .....	89
Tank Heating System Electrical Schematic .....	93
Controls System IDX23001.....	94

Main Control Box IDX23003..... 97  
Controls System Schematic..... 99

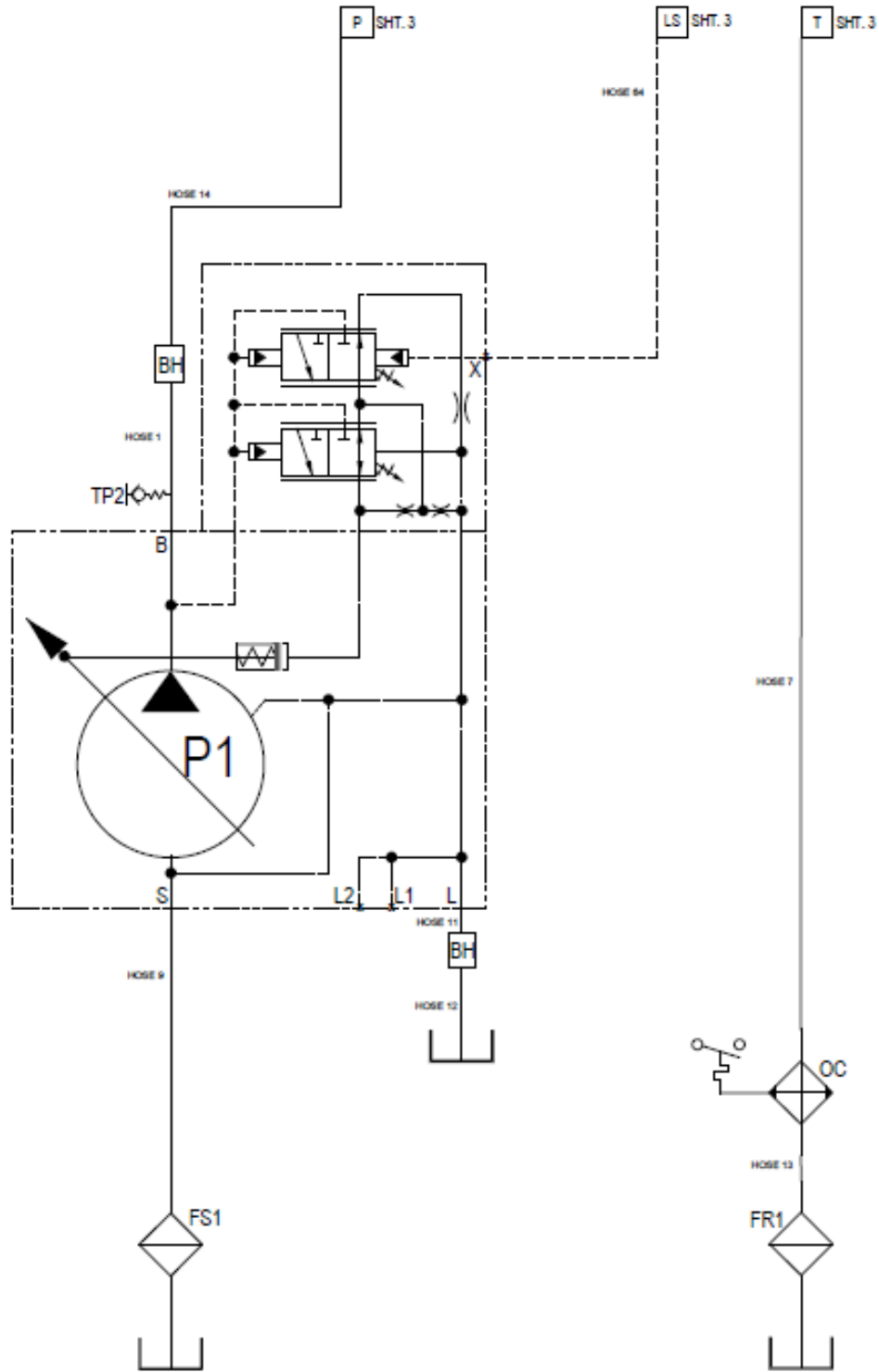
# Hydraulic Reservoir Assembly IDX20500



## Hydraulic Reservoir Assembly

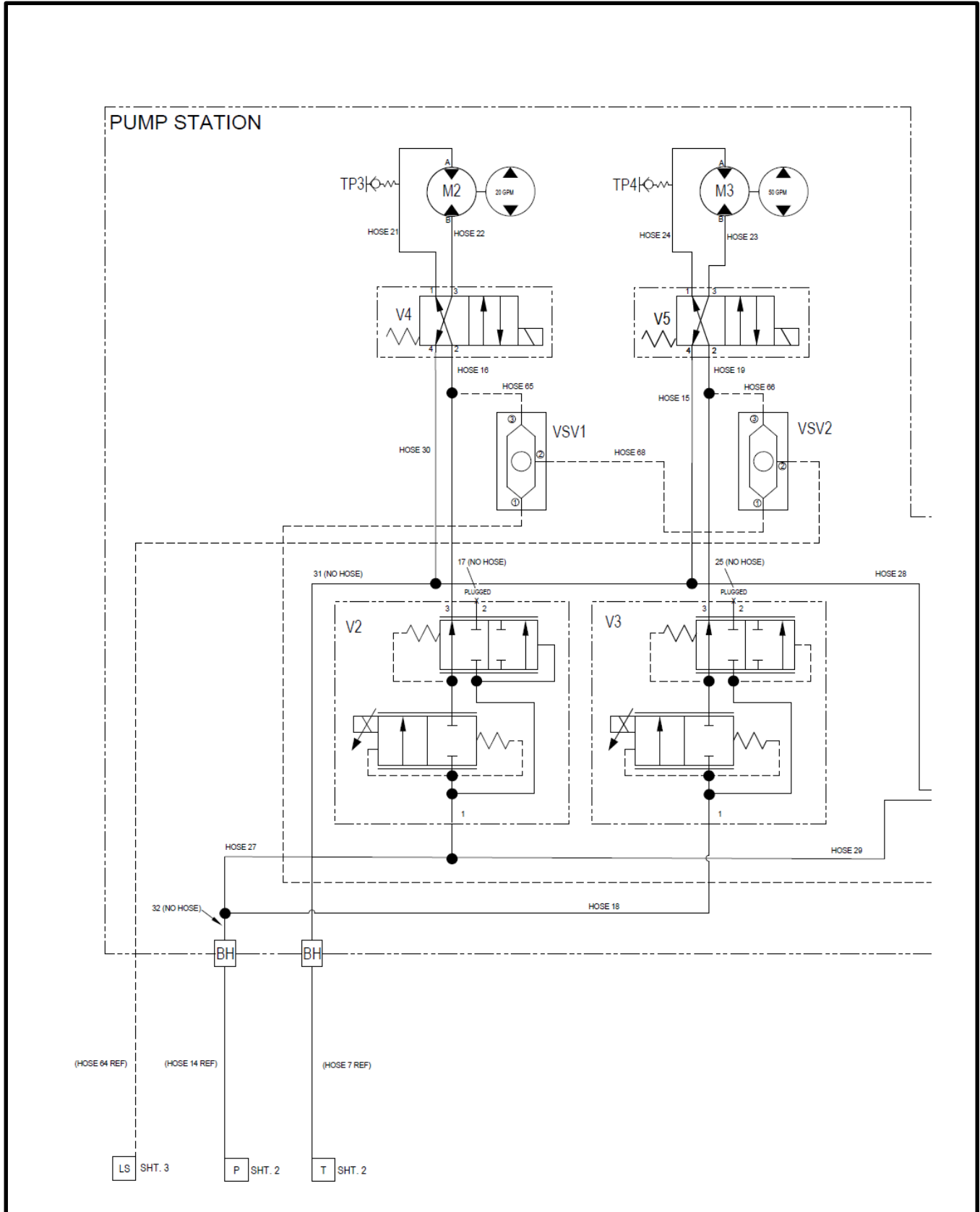
ITEM	PART NO.	QTY.	DESCRIPTION
1	IDX20501	1	WMT, HYD TANK
2	IDX10210	1	SIGHT GAUGE, 5 IN
3	IDX20518	1	SUCTION STRAINER, -32 PORT
4	IDX10752	1	FILL NECK
5	IDX10211	1	FILLER CAP
6	IDX11034	2	GASKET, HYD TANK
7	IDX10753	1	WMT, FILTER COVER
8	IDX10194	16	SERR-FLG HEX LKNUT ZN 1/4-20
9	IDX20519	1	HYD FITTING, -32MB X -24MJ
10	IDX10212	1	OIL COOLER, 24 V
11	IDX10760	2	PLATE, MNT
12	IDX10188	6	HHCS SERR FLG 5/16-18 X 1" LG
13	IDX10762	1	PLUG, 1" NPT
14	IDX20516	1	RETURN FILTER, HYD. RES.
	<b>IDX20515</b>		<b>REPLACEMENT ELEMENT FOR HYD. RETRUN FILTER</b>
15	IDX10208	1	PRESSURE GAUGE
16	IDX10195	4	FHHCS SERR 3/8-16 X 1" LG ZN
17	IDX10755	2	HYD FITTING, -12MB X -12SAE 90 DEG
18	IDX10268	1	THERMOSTAT, OIL COOLER
19	IDX11192	1	BUSHING, 1 X 1/2 NPT
20	IDX11193	1	ELBOW, STREET, 90 DEG, 1/2 NPT
21	IDX10985	30 Gal	HYD OIL, CAT HYDRO ADVANCED 10
22	IDX20170	1	CONNECTOR 2 POS MALE
23	IDX20171	2	TERMINAL PIN MALE 14-16 AWG
24	IDX20172	2	CABLE SEAL GREEN
25	IDX20173	1	FUSE HOLDER INLINE ATC W/CAP
26	IDX10791	1	ATC AUTOMOTIVE FUSE 10 AMP
27	IDX20174	20 FT	SO CORD #16/3C
28	IDX20175	4	RING TERMINAL #14-16 AWG BLUE
29	IDX10189	8	SERR HEX FLG NUT 5/16-18
30	IDX20215	1	PIPE NIPPLE, 1/2 NPT X 1.5
31	IDX11191	1	VALVE, 1/2 NPT, LOCKABLE
32	IDX10284	1	PLUG, PIPE 1/2 NPT
33	IDX20508	1	PLATE, COVER
34	IDX20512	1	PLATE, MOUNT
35	IDX20361	1	OIL COOLER TO FR1 HOSE ASSY
36	IDX20735	1	ADAPTER, 08MJIC-16MNPT 90
37	IDX23517	1	ADAPTER, 16MNPT-8FNPT
38	IDX23510	1	TEMP SENS, 18-32V, 4-20OUT, 1/2NPT
39	IDX23511	1	CBL, M12 4COND 10M
40	IDX23519	1	BUTT CNCTR, 16-24AWG, CRIMP
41	IDX23541	1	CNCR, TAP, 17-24AWG, 2 CON
42	IDX20237	1	HYD FITTING, -16MB X -12MJ90

# Hydraulic Hoses, Adapters, and Pump Schematic

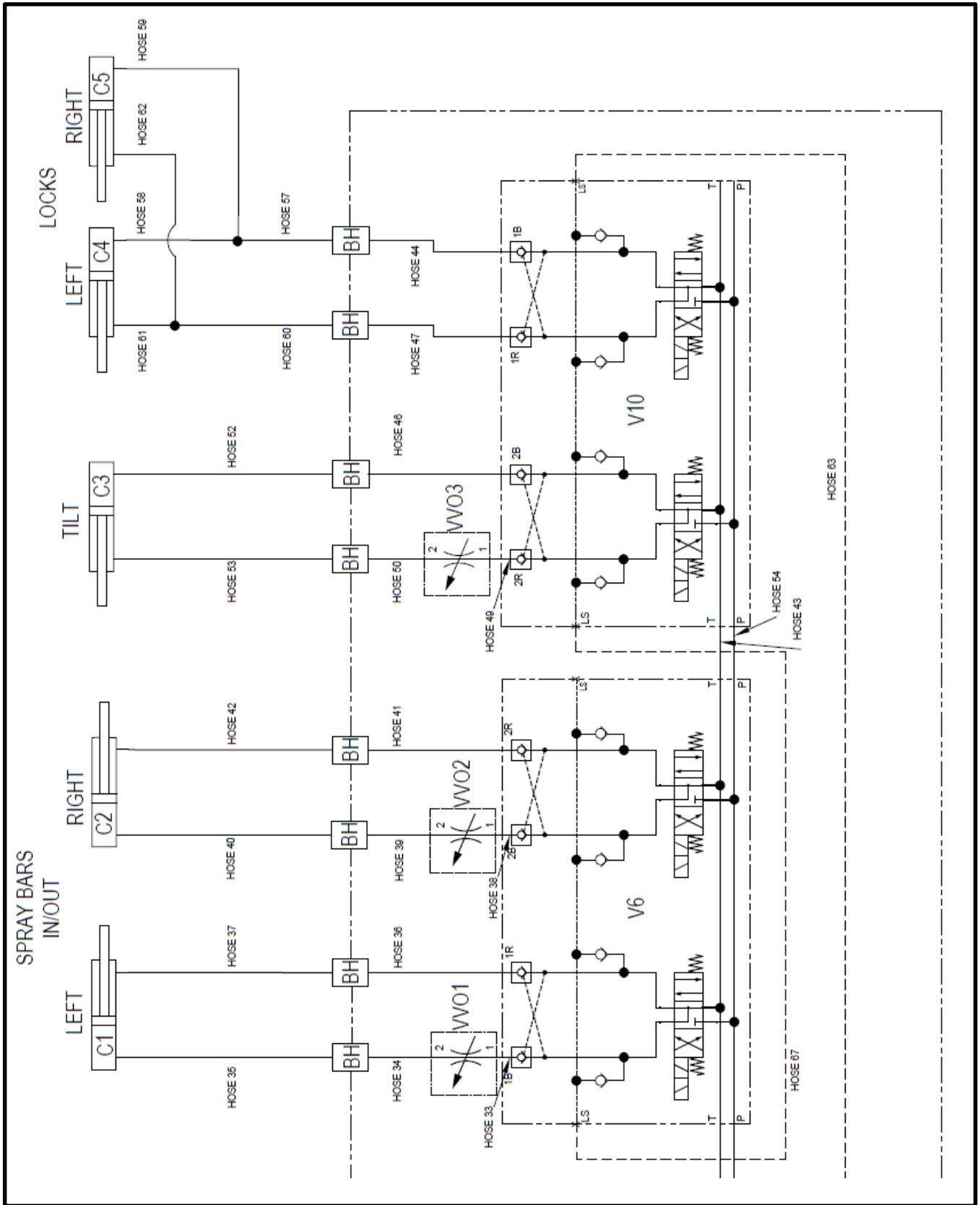


SYSTEM PRESSURE: 2450 PSI

# Hydraulic Hoses, Adapters and Pump



# Hydraulic Hoses, Adapters and Pump





## Hydraulic Hoses, Adapters and Pump

### Hoses and hose fittings

<u>Hose Number</u>	<u>PART NUMBER</u>	<u>Hose Size</u>	<u>Pressure Required</u>	<u>Hose End #1</u>	<u>Hose End #2</u>
1	IDX20304	-12	2450	12FJIC STR	12FJIC 90
7	IDX20389	-12	RETURN	12FJIC STR	12FJIC 90
9	IDX20363	-24	SUCTION	24FJIC90	24FJICSTR
11	IDX20313	-08	RETURN	8FJIC STR	8FJIC 90
12	IDX20314	-08	RETURN	8FJIC STR	8FJIC STR
14	IDX20388	-10	2450	10FJIC STR	10FJIC STR
15	IDX20317	-08	2450	8FJIC STR	8FJIC STR
16	IDX20318	-08	2450	8FJIC STR	8FJIC STR
17	(none)	(no hose)			
18	IDX20319	-08	2450	10FJIC- 8G 90	8FJIC STR
19	IDX20320	-08	2450	8FJIC STR	8FJIC STR
21	IDX20322	-08	2450	8FJIC STR	8FJIC 90
22	IDX20323	-08	2450	8FJIC 90	8FJIC STR
23	IDX20324	-08	2450	8FJIC 90	8FJICSTR
24	IDX20325	-08	2450	8FJIC STR	8FJIC 90
25	(none)	(no hose)			
27	IDX20327	-08	2450	10FJIC -8G 90	8FJIC STR
28	IDX20328	-08	RETURN	8FJIC 90	8FJIC STR
29	IDX20329	-08	2450	8FJIC 90	8FJIC STR
30	IDX20330	-08	RETURN	8FJIC STR	8FJIC 90
31	(none)	(no hose)			
32	(none)	(no hose)			
33	IDX20331	-08	2450	8FJIC 90	8FJIC STR
34	IDX20332	-08	2450	8FJIC STR	8FJIC STR
35	IDX20333	-06	2450	6FJIC STR	6FJIC STR
36	IDX20334	-08	2450	8FJIC STR	8FJIC 90
37	IDX20335	-06	2450	6FJIC STR	6FJIC STR
38	IDX20336	-08	2450	8FJIC STR	8FJIC STR
39	IDX20337	-08	2450	8FJIC 90	8FJIC STR
40	IDX20338	-06	2450	6FJIC STR	6FJIC STR
41	IDX20339	-08	2450	8FJIC STR	8FJIC STR
42	IDX20340	-06	2450	6FJIC STR	6FJIC STR
43	IDX20372	-6	RETURN	6FJIC STR	6FJIC 90
44	IDX20377	-6	2450	6FJIC STR	6FJIC STR
46	IDX20375	-6	2450	6FJIC STR	6FJIC STR
47	IDX20376	-6	2450	6FJIC STR	6FJIC STR
49	IDX20374	-6	2450	6FJIC STR	6FJIC 90
50	IDX20348	-06	2450	6FJIC 90	6FJIC STR

52	IDX20350	-04	2450	4FJIC STR	4FJIC STR
53	IDX20351	-04	2450	4FJIC STR	4FJIC STR
54	IDX20373	-6	2450	6FJIC STR	6FJIC 90
57	IDX20355	-04	2450	4FJIC STR	4FJIC STR
58	IDX20356	-04	2450	4FJIC STR	4FJIC STR
59	IDX20357	-04	2450	4FJIC STR	4FJIC STR
60	IDX20358	-04	2450	4FJIC STR	4FJIC STR
61	IDX20359	-04	2450	4FJIC STR	4FJIC STR
62	IDX20360	-04	2450	4FJIC STR	4FJIC STR
63	IDX20367	-4	2450	4FJIC STR	4FJIC STR
64	IDX20368	-4	2450	4FJIC STR	4FJIC STR
65	IDX20369	-4	2450	4FJIC 90	4FJIC STR
66	IDX20370	-4	2450	4FJIC 90	4FJIC STR
67	IDX20371	-4	2450	4FJIC STR	4FJIC 90
68	IDX20366	-4	2450	4FJIC 90	4FJIC STR

## Adapters

Hose No.	Adapter 1	Adapter 1 Part No.	Adapter 2	Adapter 2 Part no.	Adapter 3	Adapter 3 Part No.
1	16MORB -12MJIC 90	IDX20237	12 JIC BULKHEAD	IDX22004	12 Gauge Adapter**	
2	8MORB -08MJIC	IDX10759	8 JIC BULKHEAD	IDX22022		
3			8MORB-8MORB	IDX11058		
4	08MORB-08MJIC	IDX10759	10MORB 8MJIC	IDX11059		
5	10MORB-08MJIC	IDX11059	8JIC BULKHEAD	IDX22002		
6			12FJIC 8MJIC	IDX11093		
7	12MJIC TEE	IDX20236	12MORB-12MJIC 90	IDX10755		
9	20MORB-24MJIC	IDX20498	24MORB-24MJIC 90	IDX20497		
10			12FJIC-8MJIC	IDX11093	08 Gauge Adapter*	
11	10MORB -8MJIC 90	IDX10770	8JIC BULKHEAD	IDX22002		
12	12MP -8MJIC 90	IDX11108				
13	12MORB-12MJIC	IDX11169	12MORB-12MJIC	IDX11169		
14	12FJIC -12MJIC 45	IDX20240	12MJIC TEE	IDX20236		
15	12FJIC -8MJIC	IDX11093	8JIC RUN TEE	IDX11060	12MORB -8MJIC	IDX11194
16	10MORB -8MJIC	IDX11059	12MORB-8MJIC	IDX11194		
17	10MORB PLUG	IDX11196				
18			10MORB-8MJIC 90	IDX10770		
19	12MORB -8MJIC 90	IDX22054	10MORB -8MJIC 90	IDX10770		
20	12FJIC - 10MJIC	IDX20238				
21	12MORB -8MJIC 90	IDX22054	10MORB -8MJIC	IDX11059	08 Gauge Adapter*	
22	10MORB-8MJIC	IDX11059	12MORB -8MJIC 90	IDX22054		
23	10MORB-8MJIC	IDX11059	12MORB -8MJIC 90	IDX22054		
24	12MORB-8MJIC 90	IDX22054	10MORB-8MJIC	IDX11059	08 Gauge Adapter*	
25	10MORB PLUG	IDX11196				
26						
27	10JIC RUN TEE	IDX22013	10MORB -8MJIC	IDX11059	8JIC RUN TEE	IDX11060
28			8MORB -8MJIC 90	IDX10858		
29			8MORB -8MJIC	IDX10759		

30	12MORB - 8MJIC	IDX11194	12FJIC -8MJIC	IDX11093	12JIC RUN TEE	IDX11134
31	12FJICX-12MJIC90	IDX10303	12JIC BULKHEAD	IDX22004		
32	10JIC BULKHEAD	IDX22003	10FJICX-10MJIC90	IDX20242		
33	6MORB -8MJIC	IDX11091	8MORB -8MJIC	IDX10759		
34	8MORB -8MJIC 90	IDX10858	8FJIC -8MJIC 45	IDX20241	08JIC BULKHEAD	IDX22002
35			6MORB-6MJIC 90	IDX10658	8FJIC -6MJIC	IDX11103
36	6MORB-8MJIC	IDX11091	08JIC BULKHEAD	IDX22002		
37	6MORB-6MJIC	IDX10662			8FJIC -6MJIC	IDX11103
38	6MORB-8MJIC	IDX11091	8MORB -8MJIC	IDX10759		
39	8MORB-8MJIC	IDX10759	08JIC BULKHEAD	IDX22002		
40	6MORB-6MJIC 90	IDX10658			8FJIC -6MJIC	IDX11103
41	6MORB -8MJIC	IDX11091	08JIC BULKHEAD	IDX22002		
42			6MORB-6MJIC	IDX10662	8FJIC-6MJIC	IDX11103
43	8MORB -6MJIC	IDX10298	6JIC RUN TEE	IDX20235	6MORB -6MJIC	IDX10662
44	8MORB -6MJIC	IDX10298	6JIC RUN TEE	IDX20235	6MORB -6MJIC	IDX10662
45			6FJIC -6MJIC 90	IDX20239	6MORB -6MJIC	IDX10662
46			6FJIC -6MJIC 90	IDX20239	6MORB -6MJIC	IDX10662
47	6MORB-6MJIC	IDX10662	6MORB-6MJIC	IDX10662		
48	6MORB-6MJIC	IDX10662	6MORB-6MJIC	IDX10662		
49	6MORB -6MJIC	IDX10662	8MORB -6MJIC	IDX10298		
50	8MORB-6MJIC	IDX10298	06JIC BULKHEAD	IDX22010		
51	6MORB-6MJIC 90	IDX10658	06JIC BULKHEAD	IDX22010		
52			4MORB-4MJIC	IDX10685	6FJIC -4MJIC	IDX11165
53			4MORB-4MJIC	IDX10685	6FJIC -4MJIC	IDX11165
54	6MORB -6MJIC	IDX10662	8MORB -6MJIC	IDX10298		
55	8MORB-6MJIC	IDX10298	06JIC BULKHEAD	IDX22010		
56	6MORB-6MJIC	IDX10662	06JIC BULKHEAD	IDX22010		
57			4MJIC TEE	IDX20234	6FJIC -4MJIC	IDX11165
58			4MORB-4MJIC	IDX10685		
59			4MORB-4MJIC	IDX10685		
60			4MJIC TEE	IDX20234	6FJIC -4MJIC	IDX11165
61			4MORB-4MJIC	IDX10685		
62			4MORB-4MJIC	IDX10685		

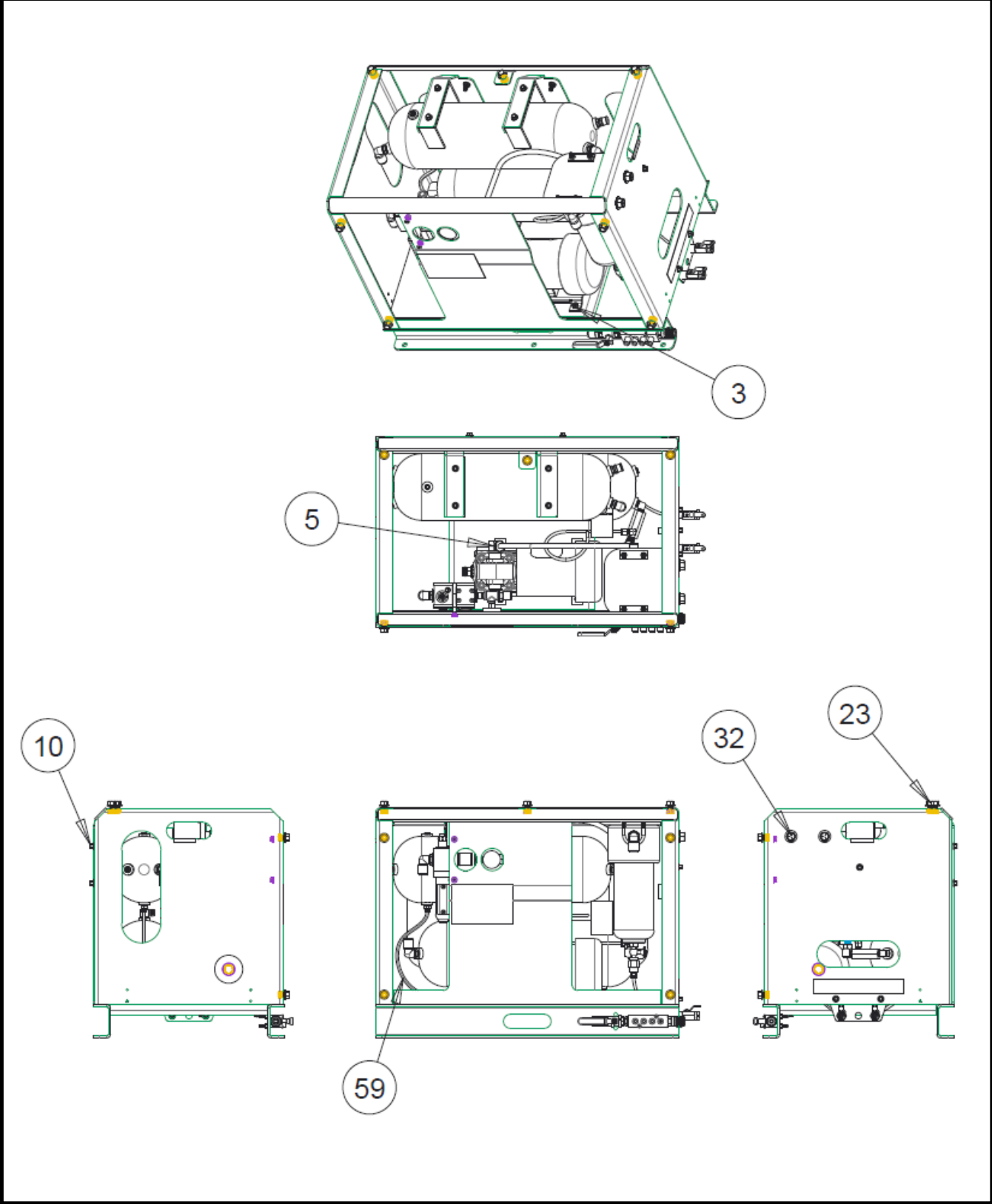
\* Tee 8MJ-8FJX-4FB (IDX20273), 4MB-6FB (IDX20272), Test port fitting (IDX20064)

\*\* Tee 12MJ-12FJX-4FB (IDX20084), 4MB-6FB (IDX20272), Test port fitting (IDX20064)

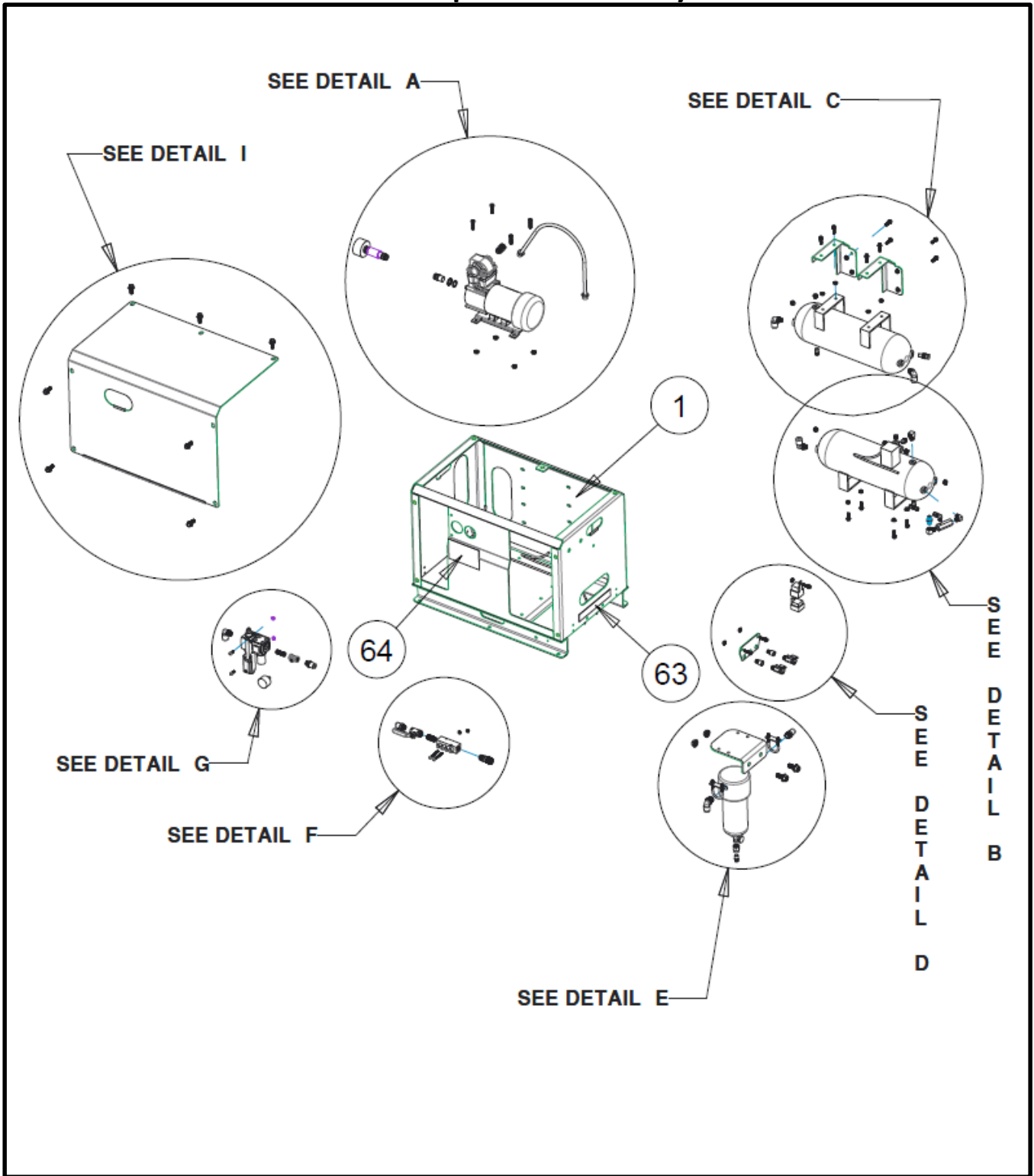
## Hose wrap

2"	IDX20245	Hose wrap, 2"
3"	IDX11171	Hose wrap, 3"
6"	IDX20246	Hose wrap, 6"
7"	IDX20247	Hose wrap, 7"

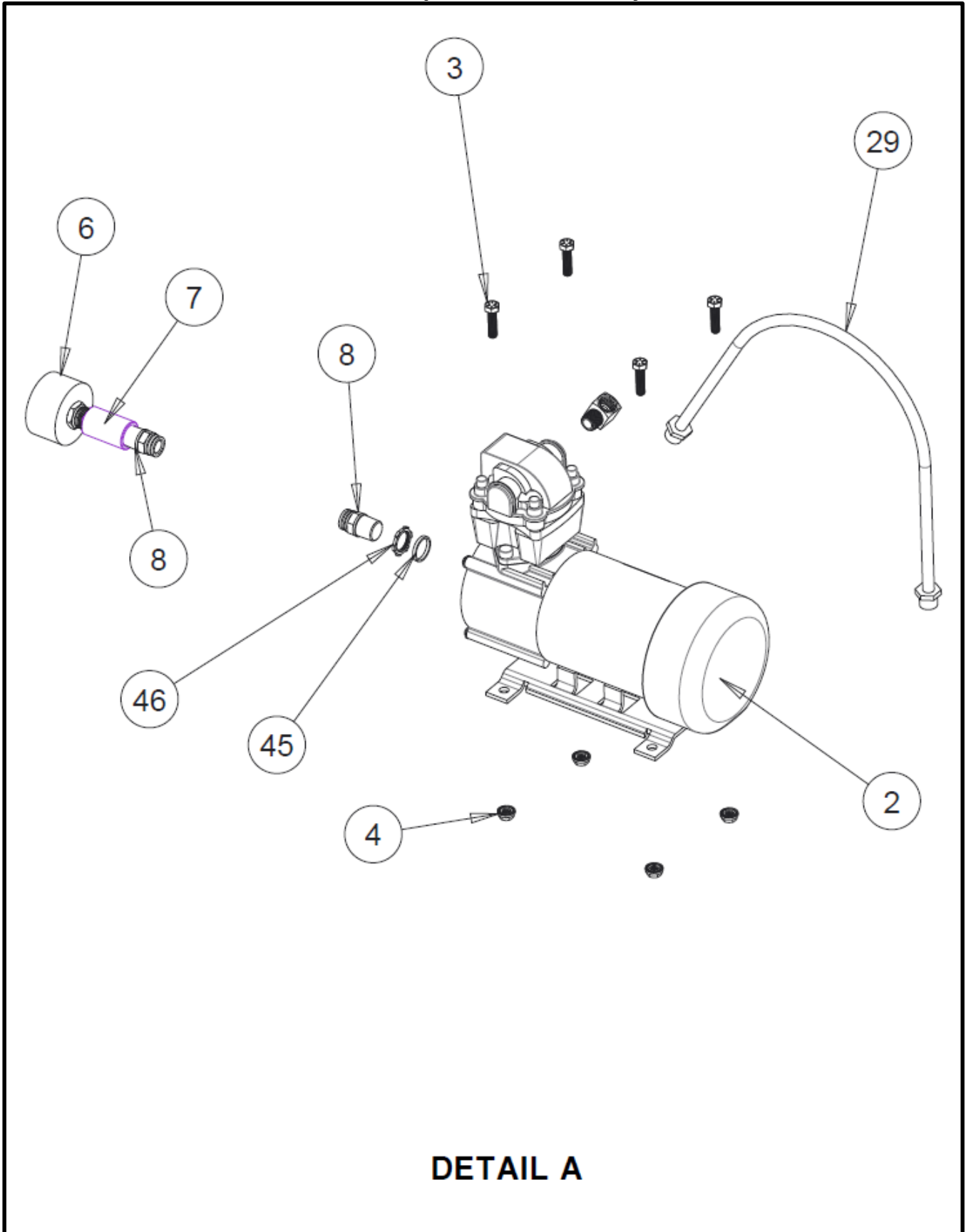
# Air Compressor Assembly IDX20520



# Air Compressor Assembly

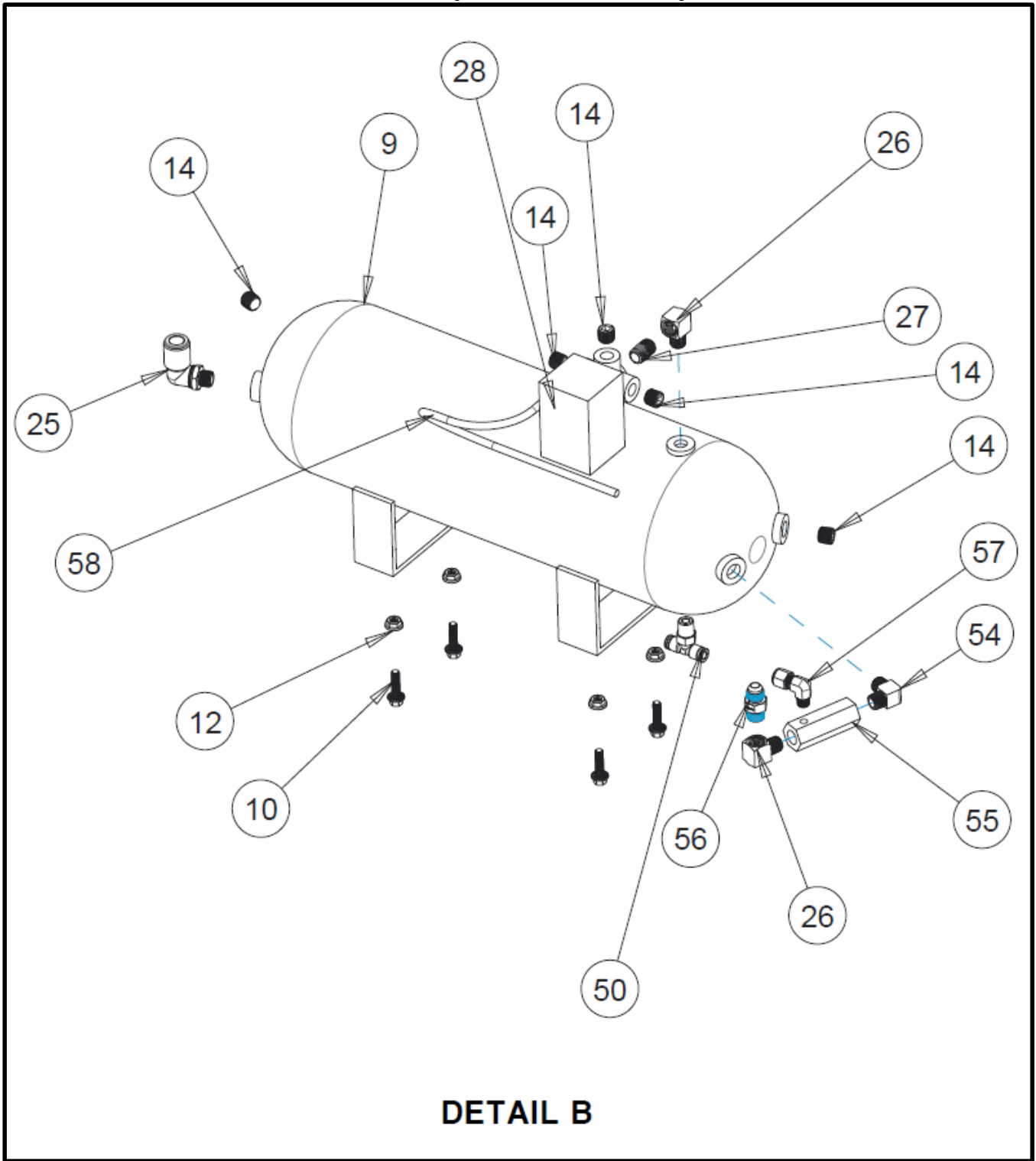


# Air Compressor Assembly



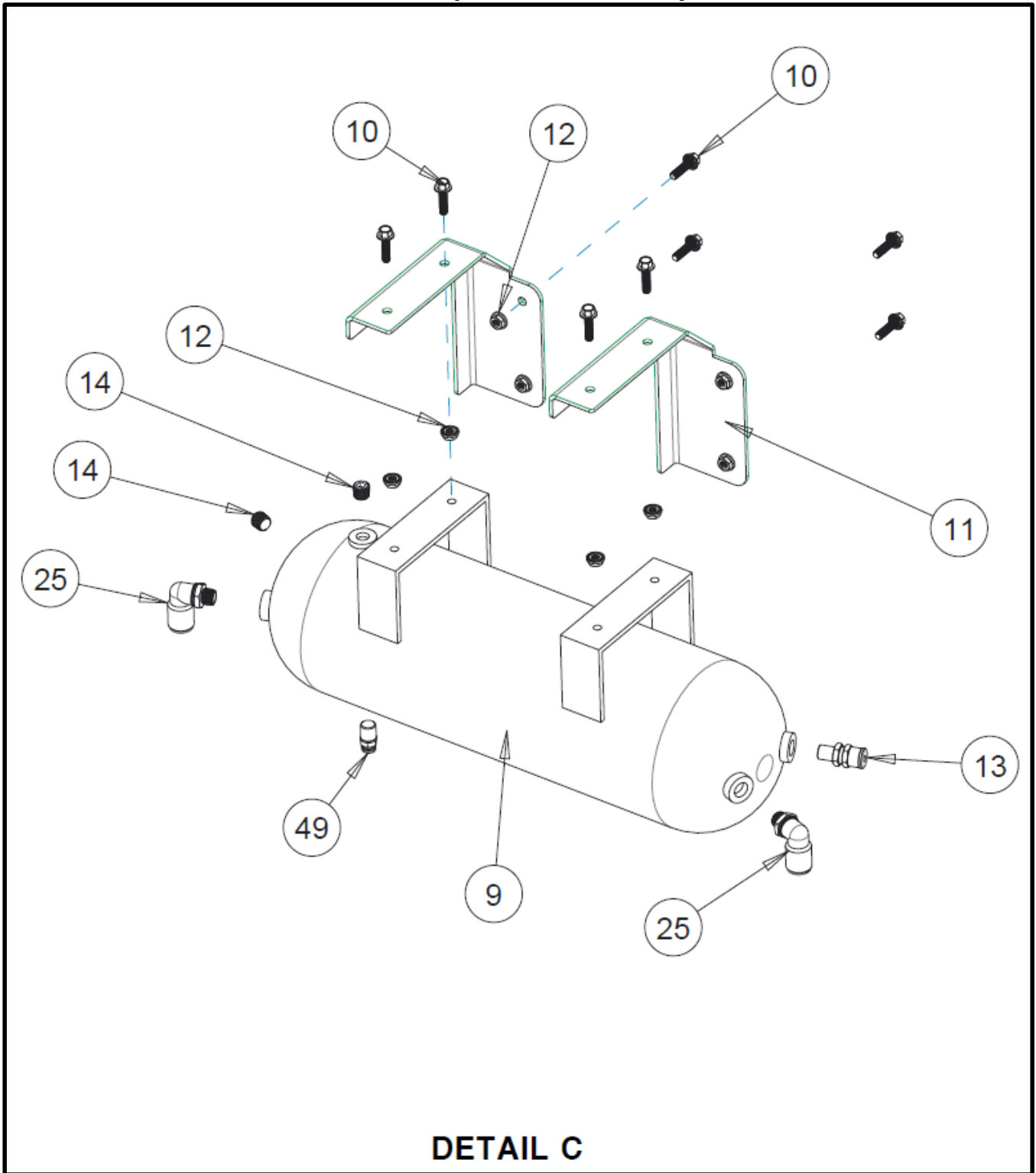
DETAIL A

# Air Compressor Assembly



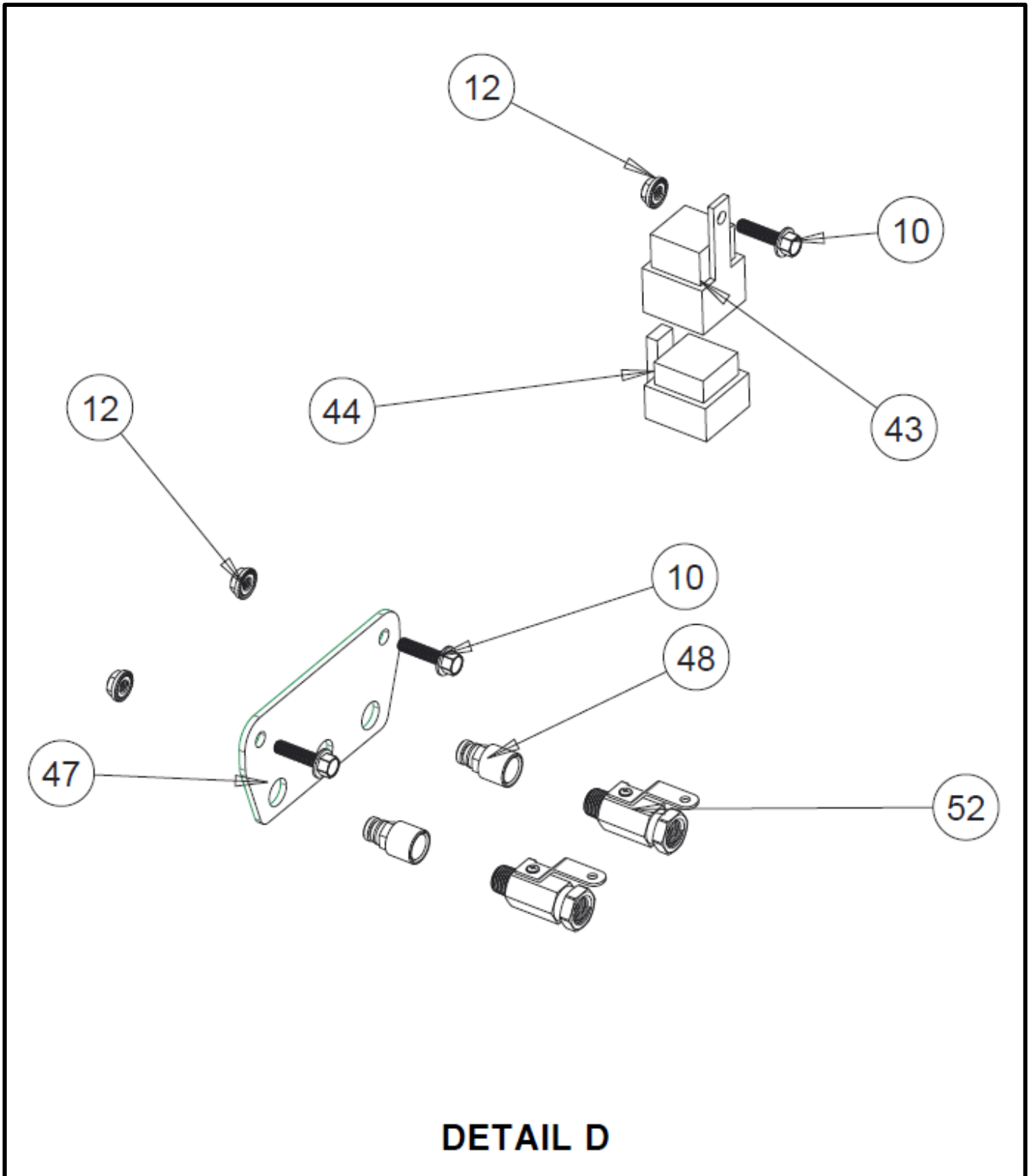
**DETAIL B**

# Air Compressor Assembly

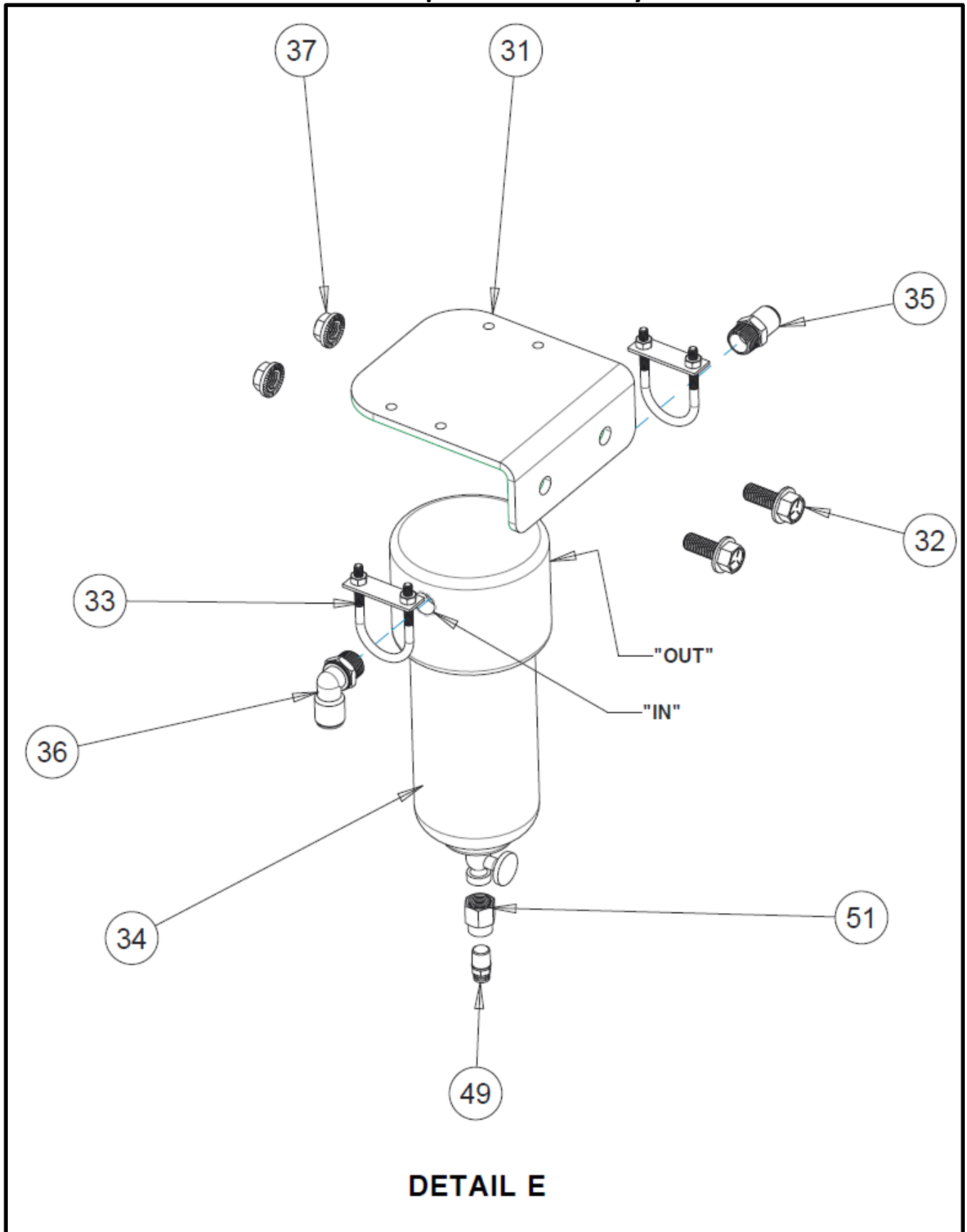




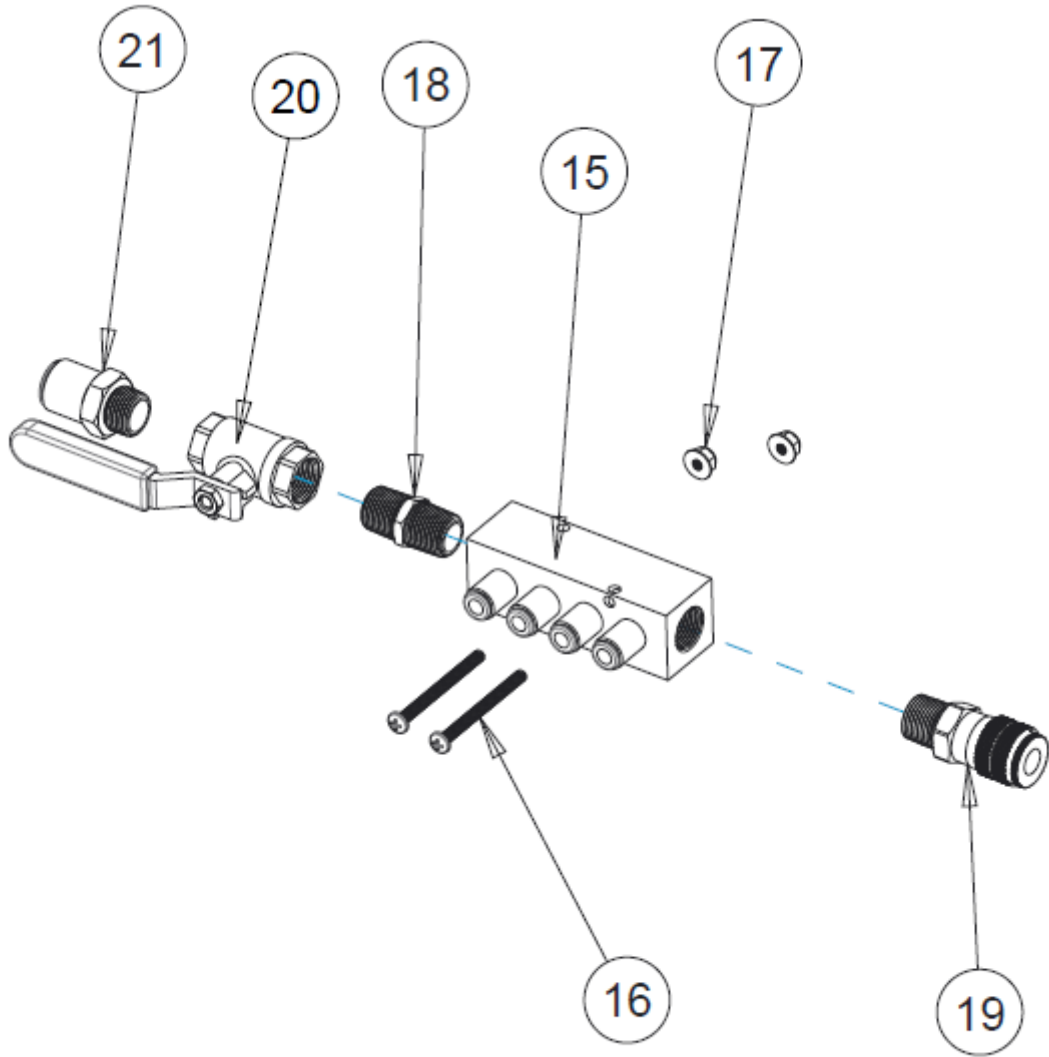
# Air Compressor Assembly



# Air Compressor Assembly

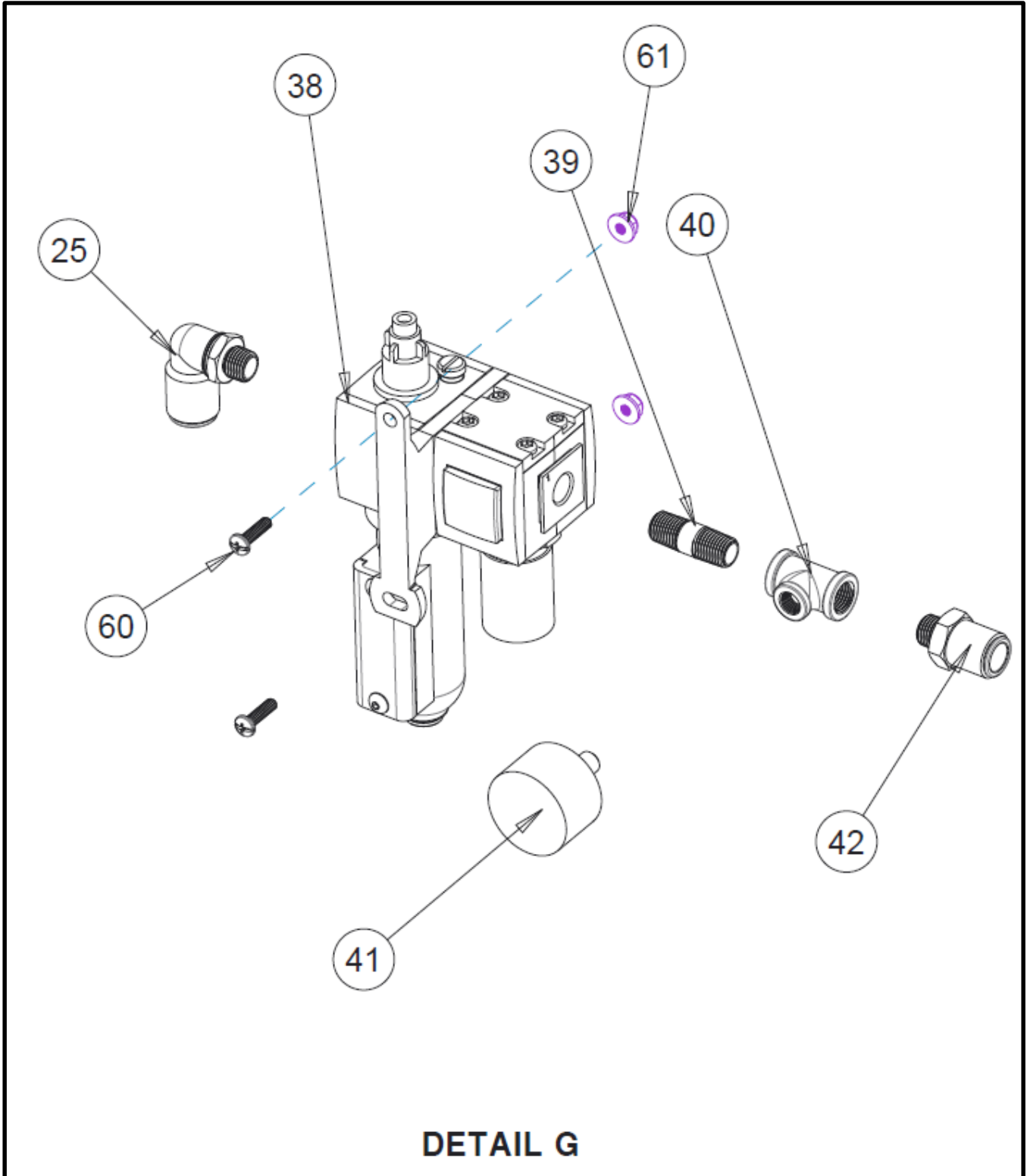


## Air Compressor Assembly

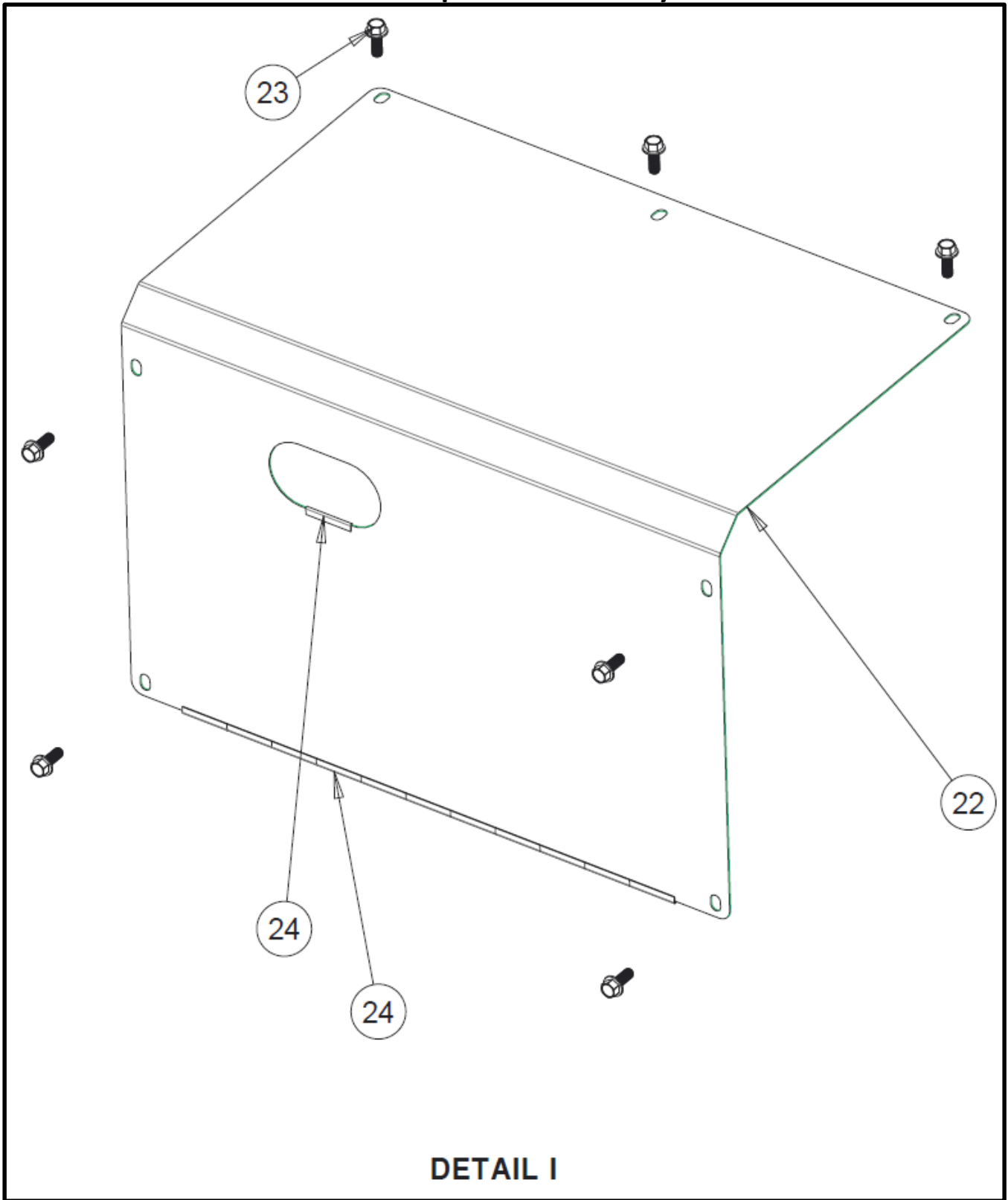


**DETAIL F**

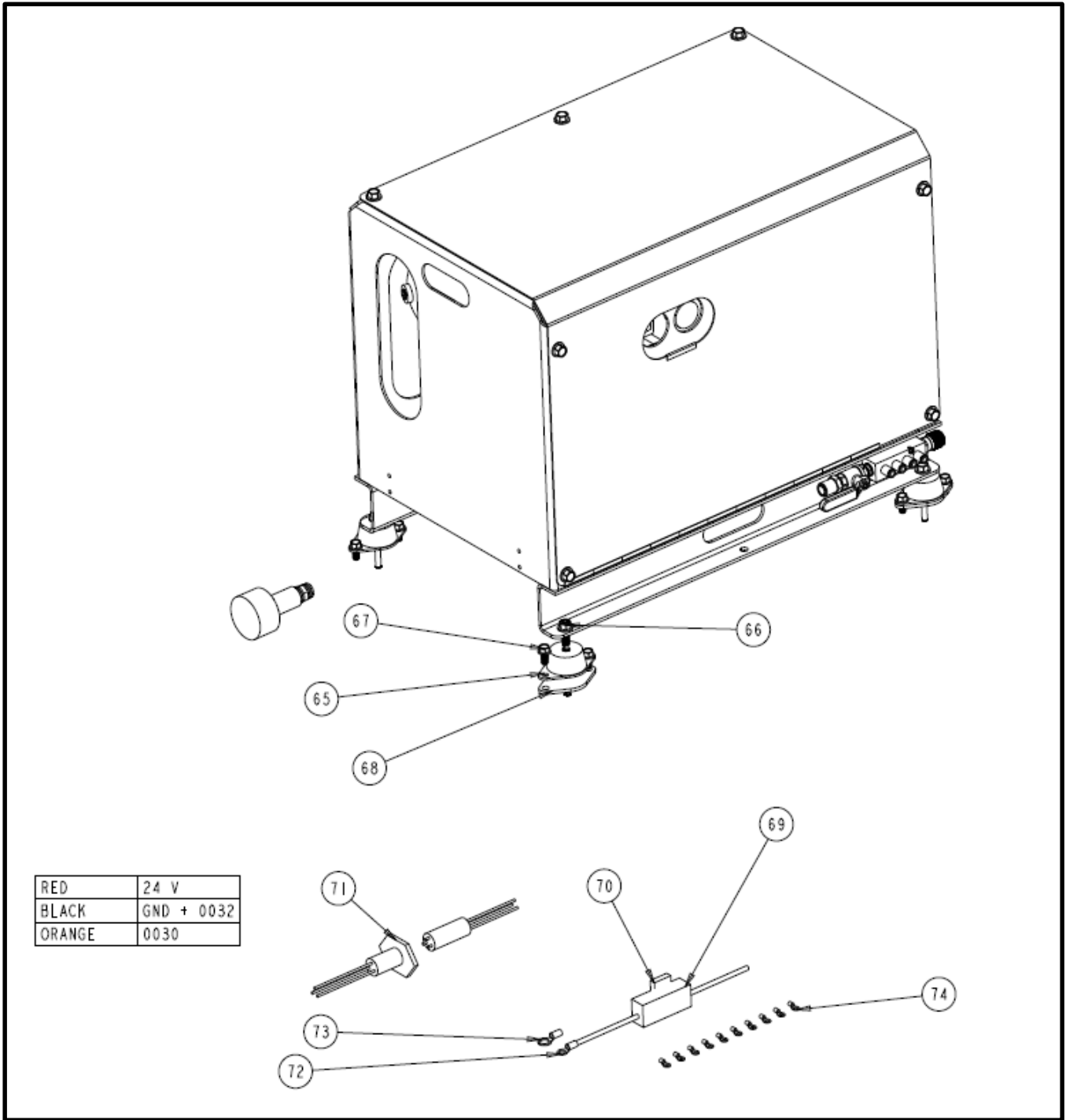
# Air Compressor Assembly



# Air Compressor Assembly



# Air Compressor Assembly



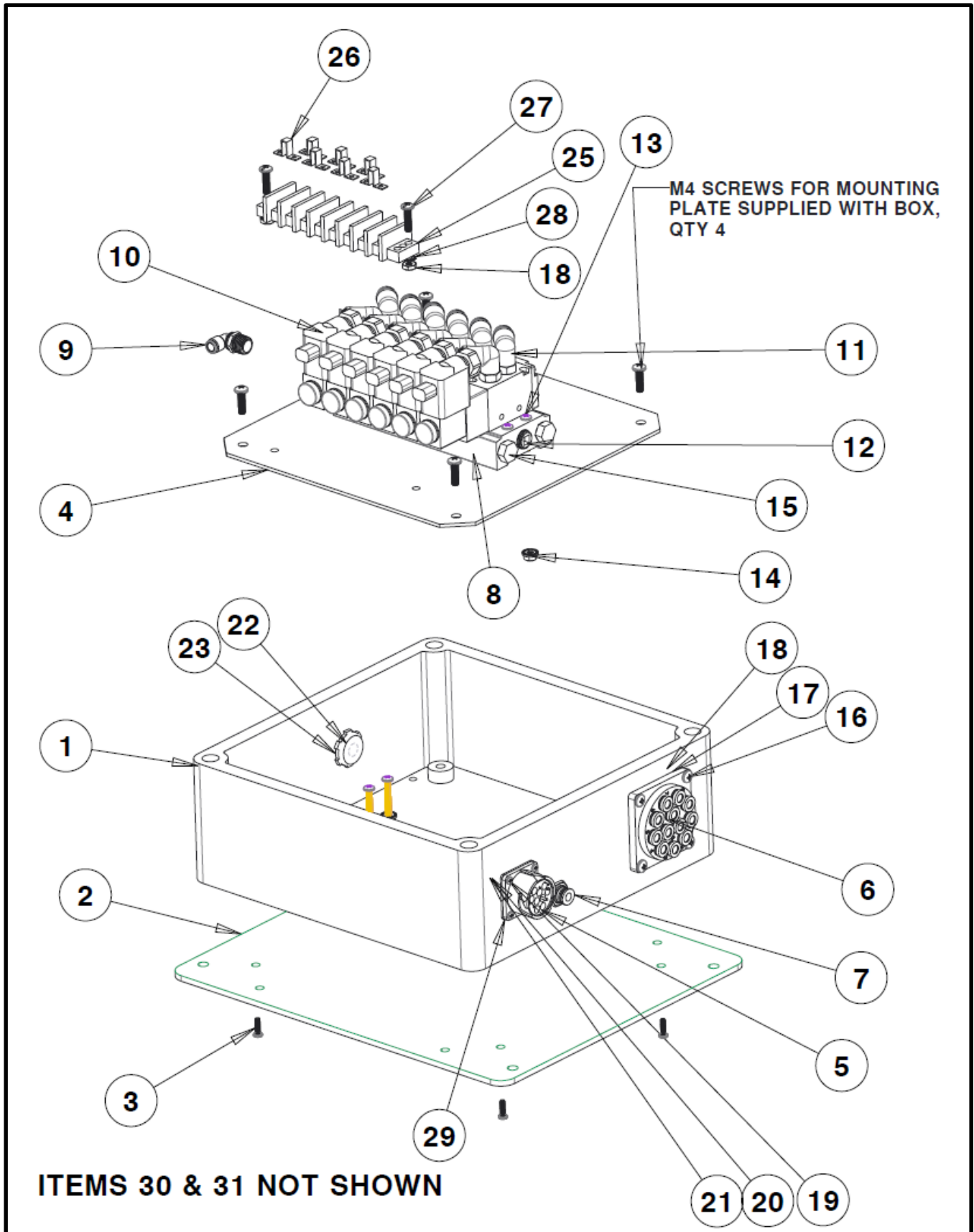
## Air Compressor Assembly

ITEM	PART NO.	QTY.	DESCRIPTION
1	IDX20521	1	WMT, COMPRESSOR SKID
2	IDX20701	1	AIR COMPRESSOR, ELECTRIC
3	IDX20214	4	HHCS 5/16-18 X 1.25
4	IDX10189	4	SERR HEX FLG NUT 5/16-18
5	IDX20181	1	ELBOW, STREET, 3/8 NPT
6	IDX11031	1	AIR CLEANER, COMPRESSOR
7	IDX10665	1	COUPLING, 1/2" NPT
8	IDX20818	2	FITTING, 1/2 PUSH-IN TO 1/2 MNPT
9	IDX10766	2	AIR TANK, 2 GAL
10	IDX10198	15	FHHCS SERR 1/4-20 X 1" LG ZN
11	IDX20805	2	BKT, AIR TANK
12	IDX10194	15	SERR-FLG HEX LKNUT ZN 1/4-20
13	IDX10872	1	RELIEF VALVE, 1/4"
14	IDX10052	7	PLUG, 1/4 NPT, SQ SOCKET DRIVE
15	IDX20260	1	AIR MANIFOLD, 4 PORT PUSH-IN
16	IDX20540	2	PHMS, #8-32 X 2" LG
17	IDX20098	2	HEX NUT, 8-32, FLG, NYLOCK
18	IDX20262	1	PIPE NIPPLE, 3/8 NPT X 1"
19	IDX20261	1	AIR ADAPTER, 1/4 QD, 3/8 MNPT
20	IDX20183	1	VALVE, MANUAL BALL, 3/8 NPT
21	IDX20045	1	ADAPTOR, 1/2 X 3/8
22	IDX20542	1	COVER, AIR COMPRESSOR
23	IDX10195	7	FHHCS SERR 3/8-16 X 1" LG ZN
24	IDX20248	14 FT	EDGE TRIM, PLASTIC, METAL CORE
25	IDX10876	4	FITTING, 1/2" TUBE X 1/4" NPT 90 SWIVEL
26	IDX20806	2	FITTING, 1/4 NPT STREET ELBOW, BRASS
27	IDX11242	1	PIPE NIPPLE, 1/4" NPT X 7/8" LG
28	IDX20711	1	PRESSURE SWITCH/RELAY
29	IDX20804	1	HOSE, BRAIDED, 3/8 NPT, 24 IN
30	IDX10874	12 FT	TUBING, NYLON 1/2" OD BLACK
31	IDX20544	1	PLATE, FILTER MOUNT
32	IDX23411	2	HHFCS 1/2-13 X 1.25
33	IDX20545	2	U-BOLT, 1/4 X 1 1/2 X 2 3/4
34	IDX20290	1	FILTER ASMB
	<b>IDX20291</b>		<b>REPLACEMENT ELEMENT FOR IDX20290</b>
35	IDX20551	1	ADAPTER, 1/2 TUBE X 1/2 NPT ST
36	IDX20295	1	ELBOW, 1/2 TUBE, 1/2 NPT
37	IDX10191	2	SERR FLG HEX NUT 1/2"-13
38	IDX20801	1	KIT, REGULATOR & LUBRICATOR
	IDX20802		REGULATOR ALONE FOR REPLACEMENT
	IDX20803		LUBRICATOR ALONE FOR REPLACEMENT
39	IDX20049	1	PIPE NIPPLE, 1/4 X 1 1/2
40	IDX20193	1	TEE, 1/4 RUN, 1/8 BRANCH

41	IDX20047	1	GAUGE 0-160 PSI, 1.5" FACE
42	IDX20194	1	FITTING, 1/2 TUBE TO 1/4 NPT STR
43	IDX20714	1	RELAY, 40A SPDT
44	IDX20715	1	RELAY SOCKET, FLYING LEADS
45	IDX10285	1	SEAL RING, CONDUIT 1/2"
46	IDX20179	1	LOCKNUT, 1/2 NPT CONDUIT
47	IDX20812	1	SHT, DRAIN BKHD
48	IDX20807	2	FITTING, BKHD, 1/4 PUSH-IN - 1/4 FNPT
49	IDX20809	2	FITTING, 1/4 PUSH-IN - 1/4 MNPT STR
50	IDX20810	1	TEE, BRANCH, 1/4 PUSH, 1/4 MNPT
51	IDX20811	1	REDUCER, 3/8 FNPT TO 1/4 FNPT
52	IDX20814	2	VALVE, 1/4 MNPT - 1/4 FNPT
53	IDX10868	4 FT	TUBING, 1/4" OD, PNEUMATIC, NAT
54	IDX20813	1	FITTING, MALE ELBOW, 1/4 NPT
55	IDX20765	1	VALVE, CHK, 1/4 FNPT, 1/8 FNPT UNLOAD
56	IDX20713	1	ADAPTER, 6MJ-4MP STR, BRASS
57	IDX20767	1	FITTING, 1/4 COMP. X 1/8 MNPT, 90
58	IDX20768	2	TUBE, COPPER, 1/4" OD, BENDABLE
60	IDX10761	2	MACH SCREW, 10-24 X 3/4
61	IDX10902	2	NUT, #10-24 FLANGE NYLOCK
62	IDX20817	2 OZ	OIL, AIR TOOL
63	IDX20819	1	DECAL, DRAIN DAILY
64	IDX20820	1	DECAL, CHECK OIL
64	IDX20820	1	DECAL, CHECK OIL
65	IDX20494	4	VIB DAMPING MOUNT
66	IDX10195	4	FHHCS SERR 3/8-16 X 1" LG ZN
67	IDX10369	8	HHCS FLG 5/16-18 X 3/4 LG
68	IDX20493	2	PLATE, SPACER
69	IDX20587	1	FUSE HOLDER, INLINE, MAXI
70	IDX20586	1	FUSE, 30 AMP, MAXI
71	IDX20749	1	KIT, PLUG & RECPT, 10 GA
72	IDX20651	1	TERM. RING, 5/16", 12-10 AWG, YLW
73	IDX20652	1	TERM. RING, 1/2", 12-10 AWG, YLW
74	IDX20648	10	TERM. RING, #10, 12-10 AWG, YLW



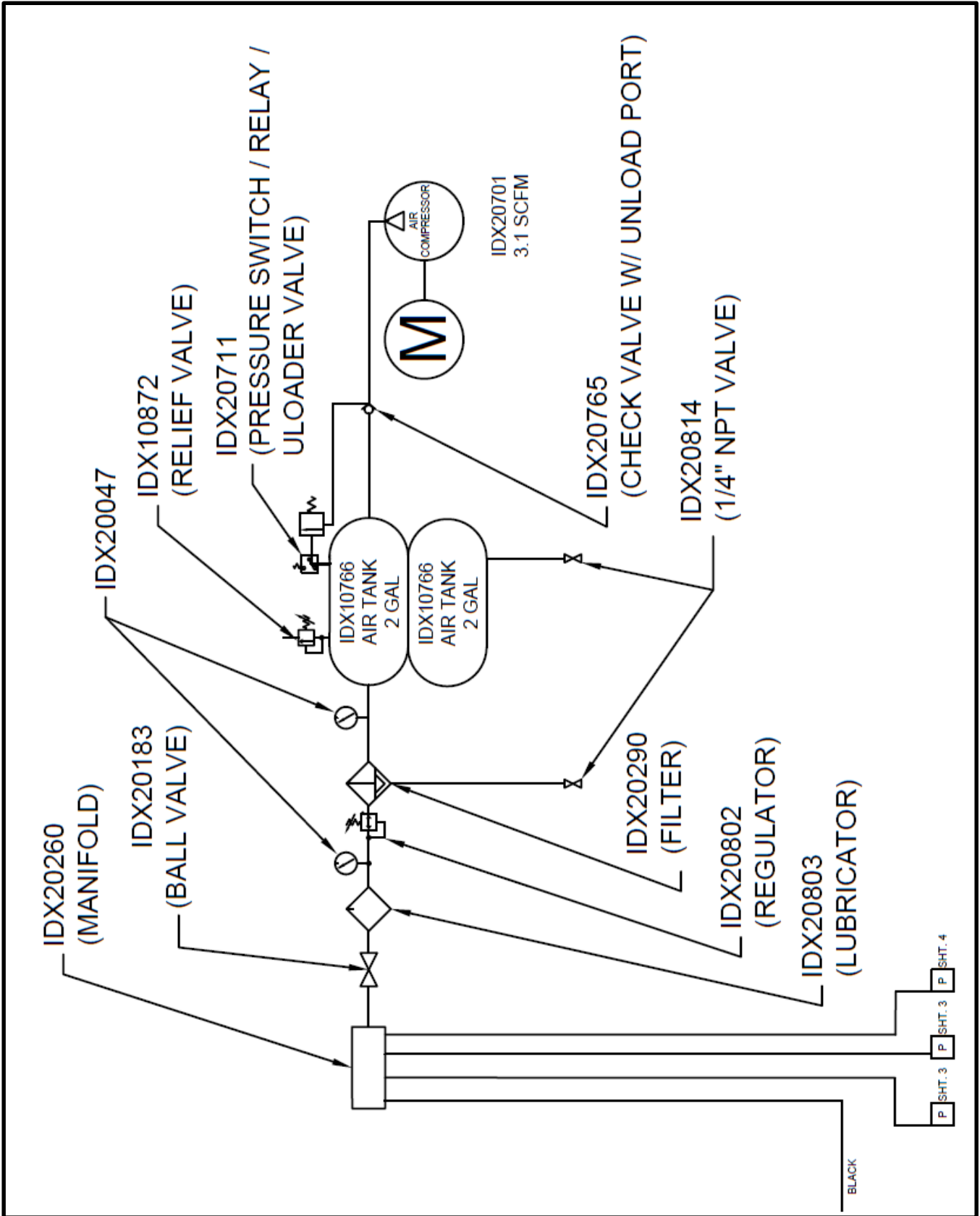
# Solenoid Valve Manifold and Enclosure Assembly IDX23420



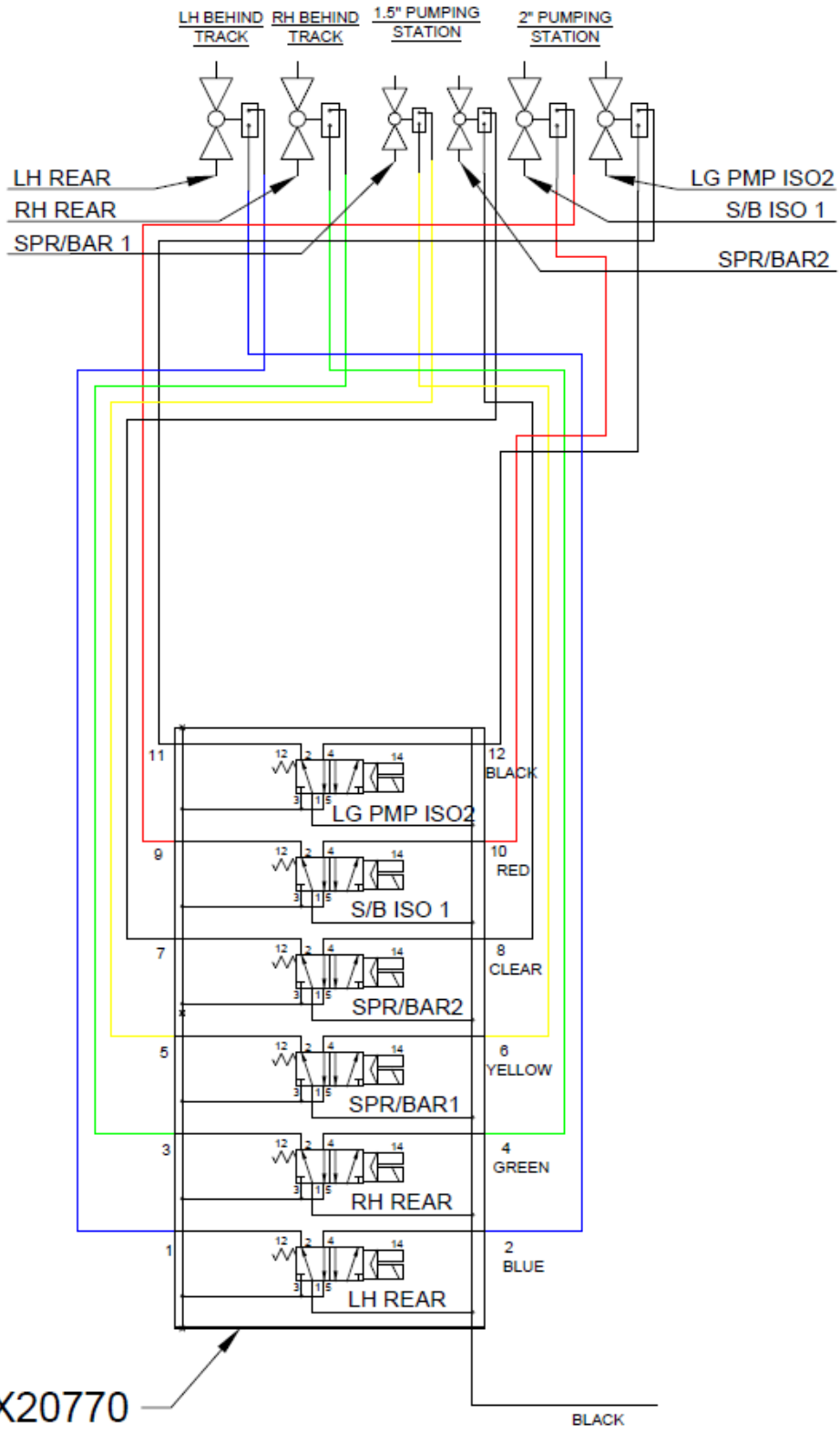
## Solenoid Valve Manifold and Enclosure Assembly

ITEM	PART NO.	QTY.	DESCRIPTION
1	IDX23421	1	ENCLOSURE
2	IDX23417	1	PLATE, AIR BOX MNT
3	IDX11126	4	BOLT, M5-0.8 X 10 MM
4	IDX23422	1	PLATE, INTERIOR MOUNT
5	IDX20621	1	CNCTR RECTP, 9 POS
6	IDX20006	1	BLKHD CONNECTOR, 12 STATION
7	IDX20008	1	BULKHEAD UNION CONNECTOR
8	IDX20770	1	VALVE MANIFOLD PNEUMATIC 6 POS
	<b>IDX20780</b>		<b>VALVE, SINGLE SPARE FOR IDX20770 (order with below)</b>
	<b>IDX20779</b>		<b>KIT, GASKET AND SCREWS FOR VALVE (order with above)</b>
9	IDX10889	1	1/4 NPT X 1/4, 90 DEG PUSH CONNECT
10	IDX10865	6	DIN PLUG
11	IDX10878	12	1/8 NPT X 1/4 OD, 90 DEG PUSH IN
12	IDX10052	1	PLUG, 1/4 NPT, SQ SOCKET DRIVE
13	IDX20278	4	PHMS #8-32, 1 1/2 LG
14	IDX22053	4	8-32 SERRATED-FLGD LOCKNUT STL
15	IDX10267	4	BREATHER VENT, 1/4 NPT
16	IDX20009	4	PAN HEAD SCREW, 10-24 X 1 1/8
17	IDX20011	4	WASHER, #10
18	IDX20012	6	HEX NUT, #10-24
19	IDX20013	4	PAN HEAD SCREW, #4-40 X 3/4"
20	IDX20014	4	WASHER, #4
21	IDX20015	4	HEX NUT, #4-40
22	IDX20178	1	BREATHER VENT, 1/2 NPT
23	IDX20179	1	LOCKNUT, 1/2 NPT CONDUIT
24	IDX23336	1	WIRE, 20 AWG GXL, GRY
25	IDX20486	1	TERMINAL BLOCK, 8 POS
26	IDX20487	7	SHORTING CLIP
27	IDX10761	2	MACH SCREW, 10-24 X 3/4
28	IDX20078	2	WASHER, #10 TOOTH LOCK
29	IDX20642	1	GASKET, FOR 9 POS BLKHD
30	IDX10235	7	CONTACT PIN, SIZE 16
31	IDX10266	2	SEAL PLUG, SIZE 12 & 16
32	IDX20673	13	TERM FORK, 22-18 AWG #8 RED

# Pneumatic Hoses



# Pneumatic Hoses

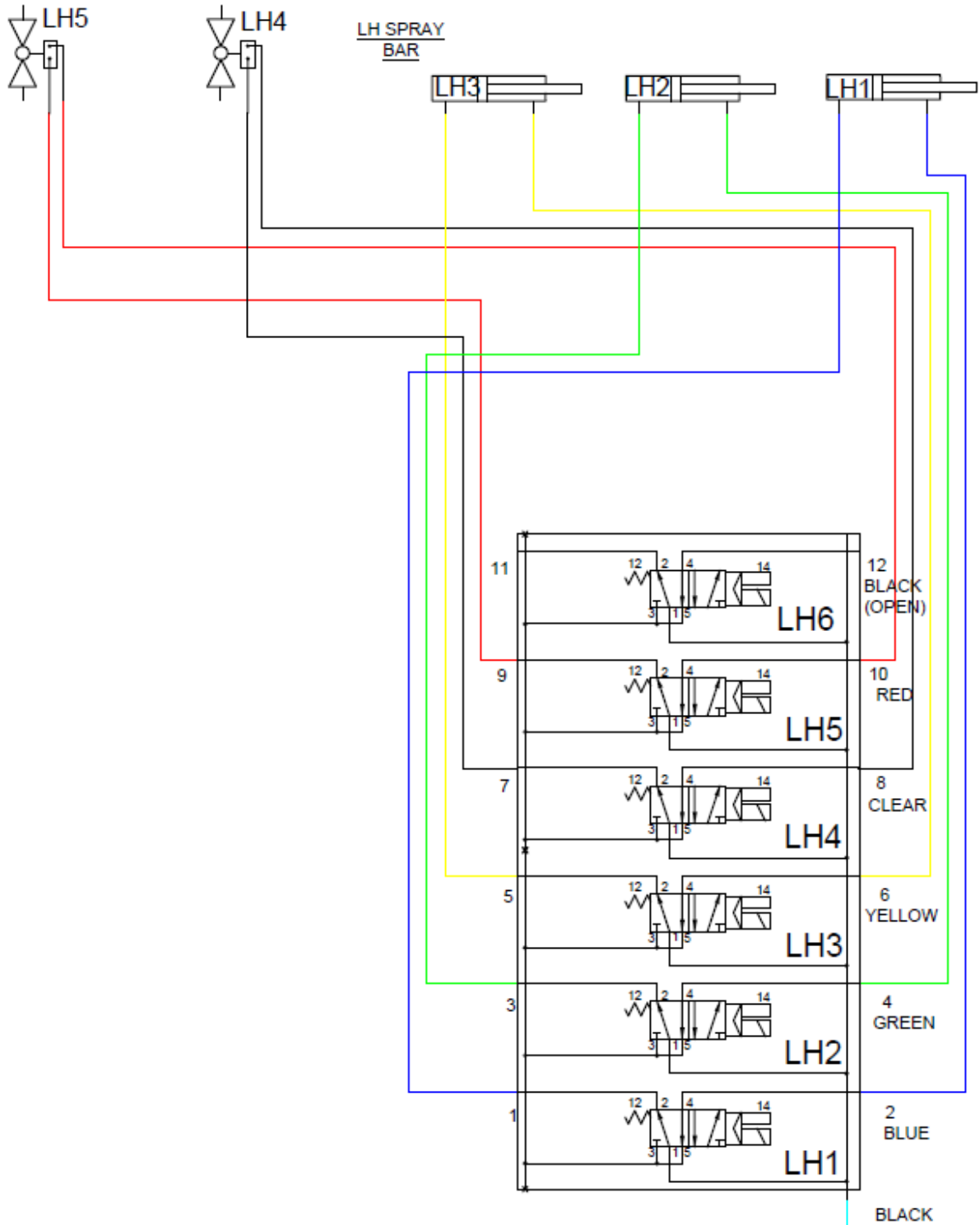


# Pneumatic Hoses

## MACHINE LEFT

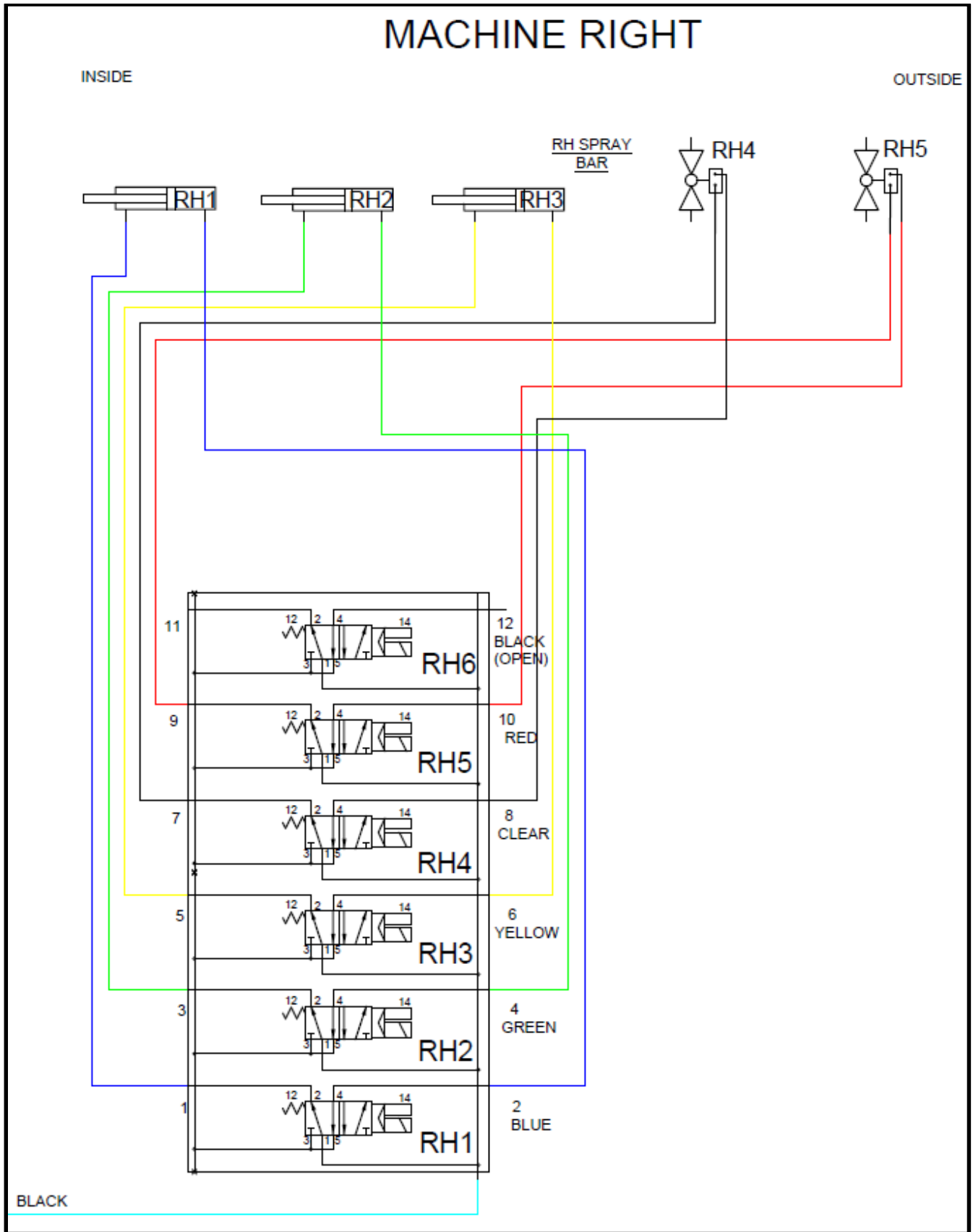
OUTSIDE

INSIDE

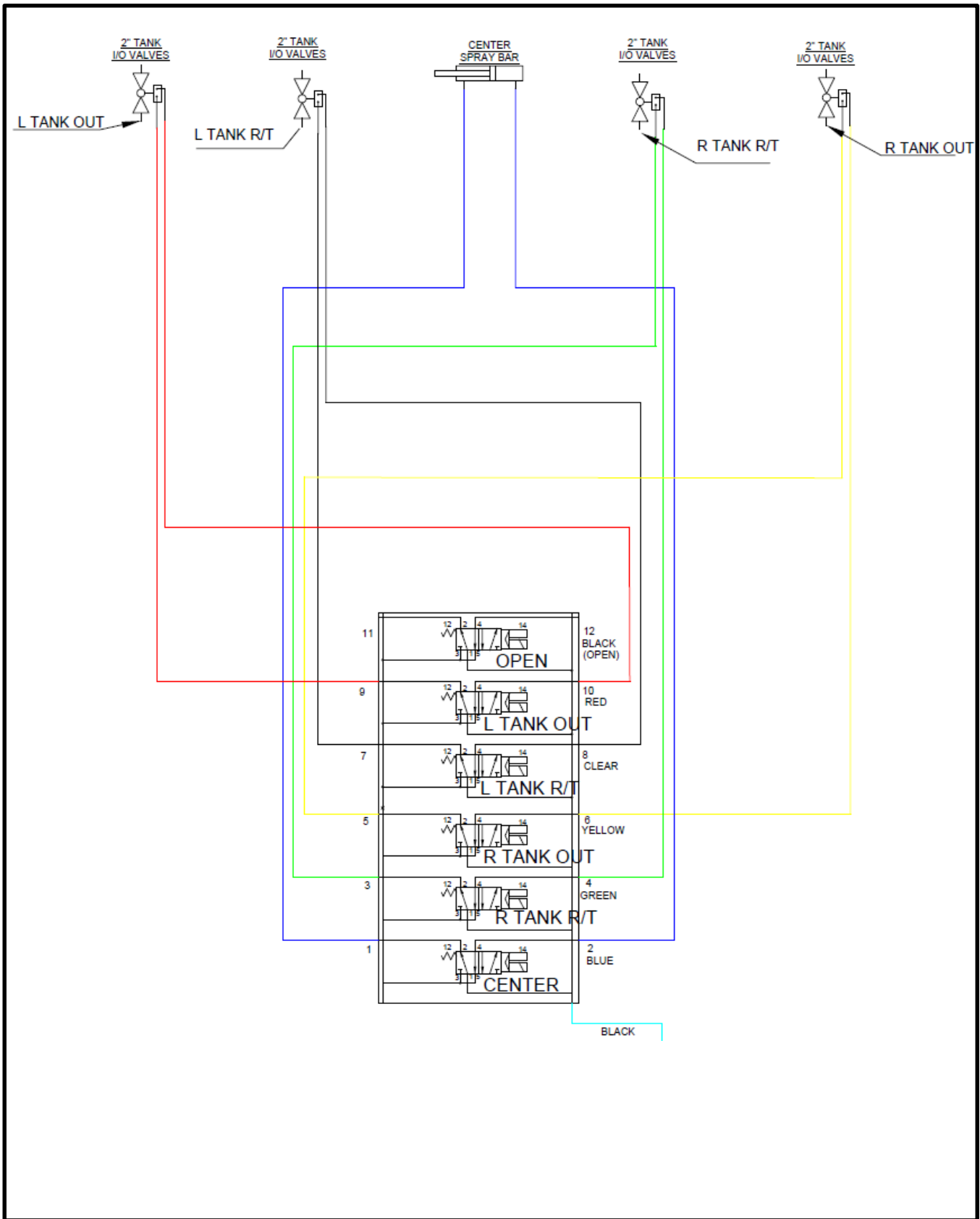


# Pneumatic Hoses

## MACHINE RIGHT



# Pneumatic Hoses

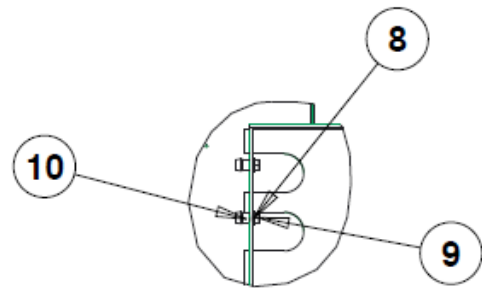
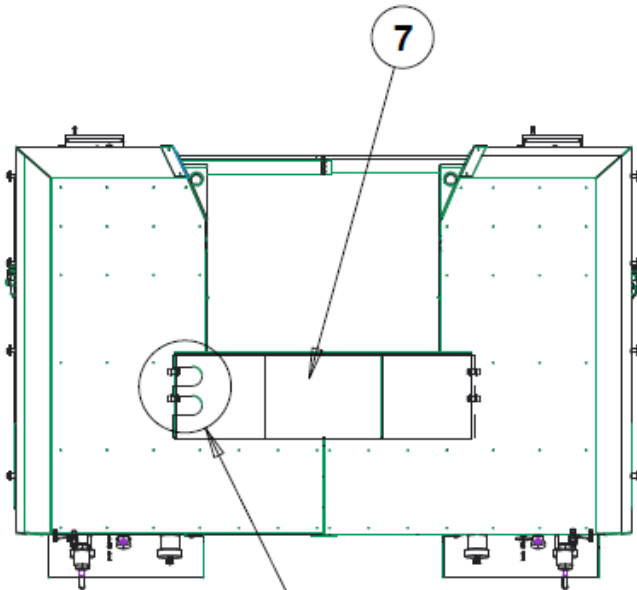


## Pneumatic Hoses

Blue	IDX10867	¼" tubing, blue
Clear	IDX10868	¼" tubing, clear
Black	IDX10866	¼" tubing, black
Red	IDX20026	¼" tubing, red
Green	IDX20027	¼" tubing, green
Yellow	IDX20028	¼" tubing, yellow
Black	IDX10874	½" tubing, black
	IDX20253	Hose sleeve, nylon HG-32
	IDX20031	Tubing, spiral wrap
	IDX11050	Union, pneumatic, push in, ¼"



# Emulsion Tank Group IDX21000

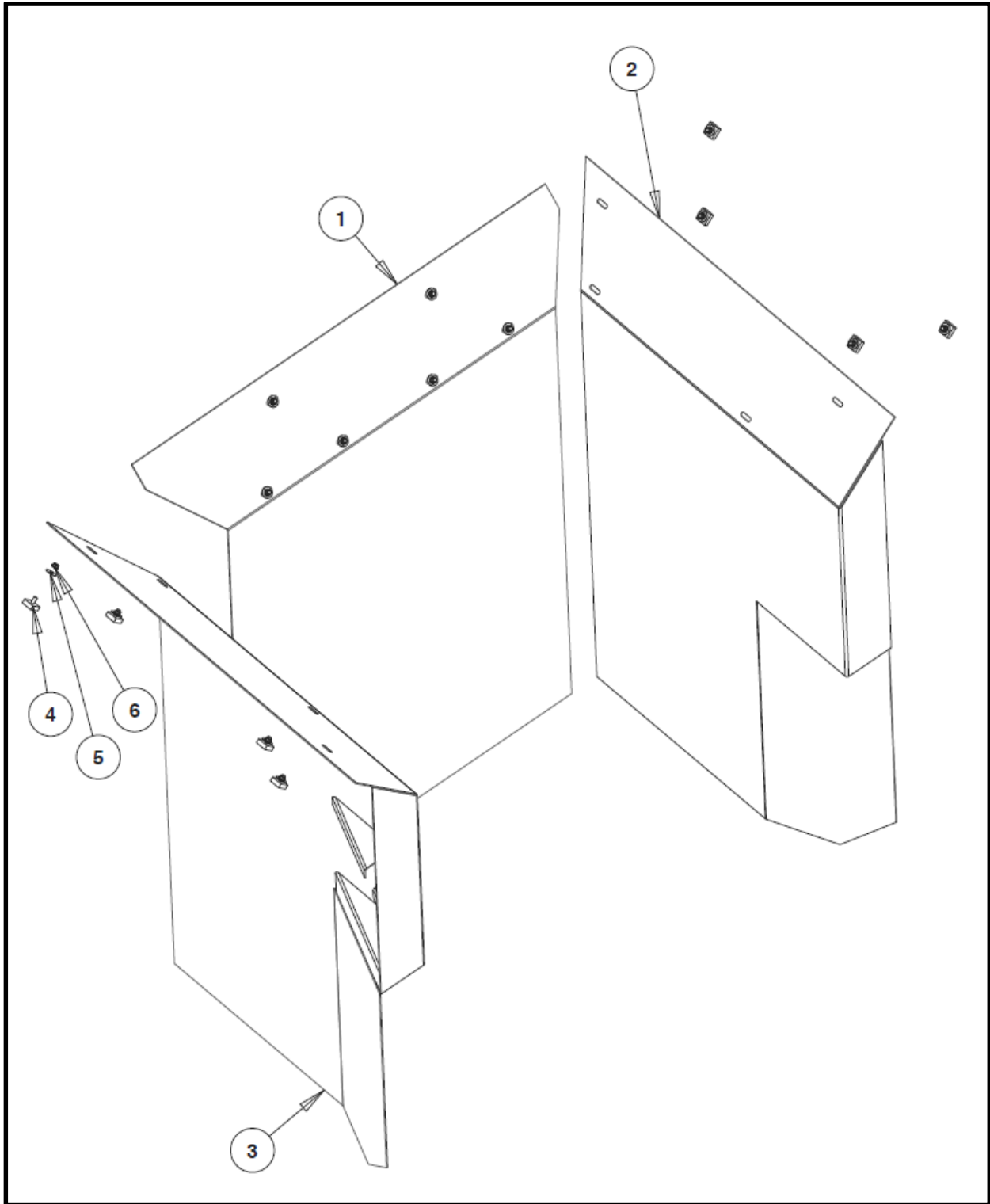


SEE DETAIL A

## Emulsion Tank Group

Item	Part No.	Qty.	Description
1	IDX21055	1	Left tank
2	IDX21057	1	Right tank
3	IDX21198	1	Closeout rear LH AS
4	IDX21200	1	Closeout rear RH AR
5	IDX10195	9	HHCS Flg 3/8-16 x 1" lg
6	IDX21001	1	Heating system (see page 86 for detail)
7	IDX21193	1	Plate AS
8	IDX21171	4	Washer
9	IDX21313	4	HHCS, 3/4-16 X 1.5, GR 8
10	IDX21118	4	Weldnut

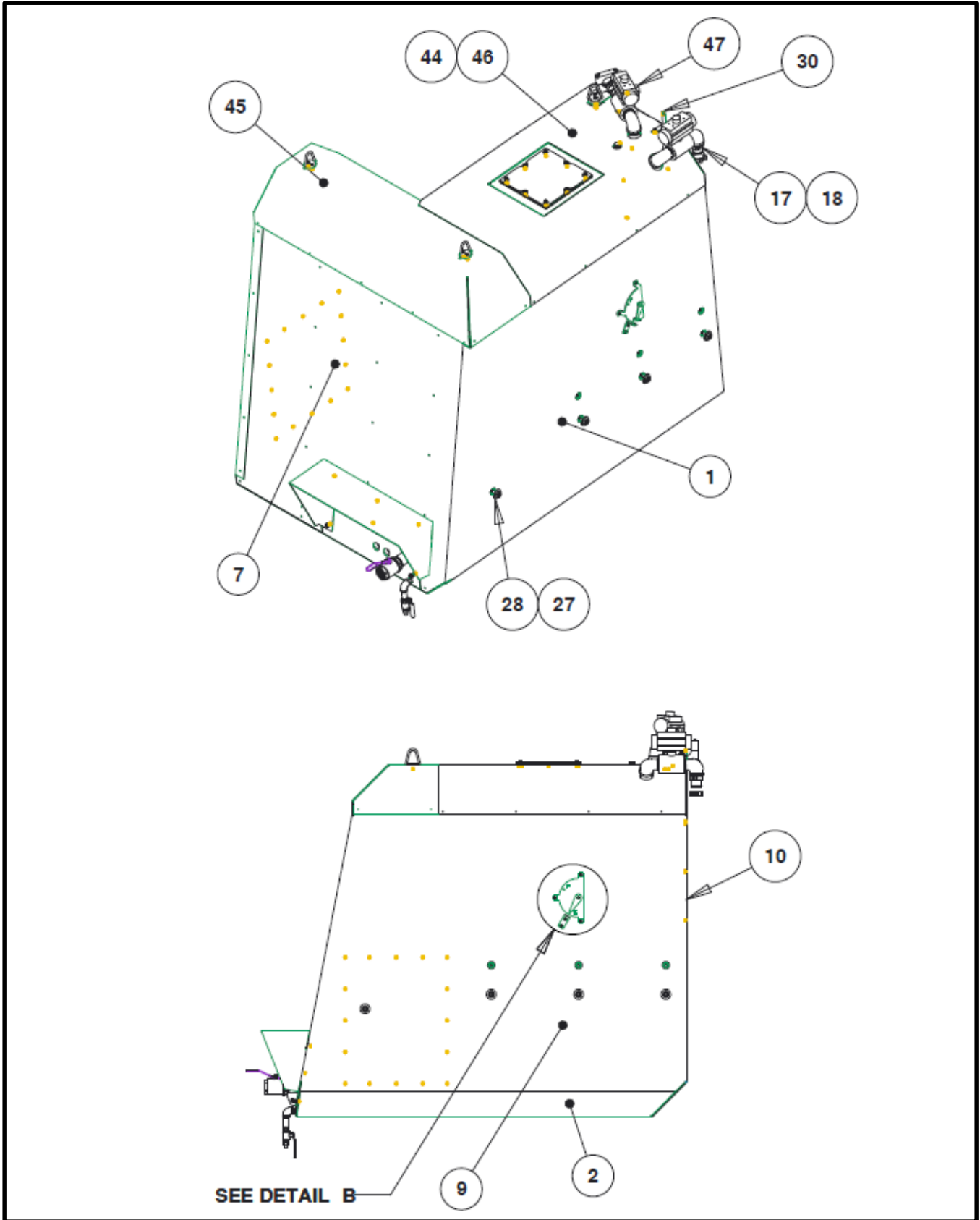
# Hopper Sleeve Assembly IDX21290



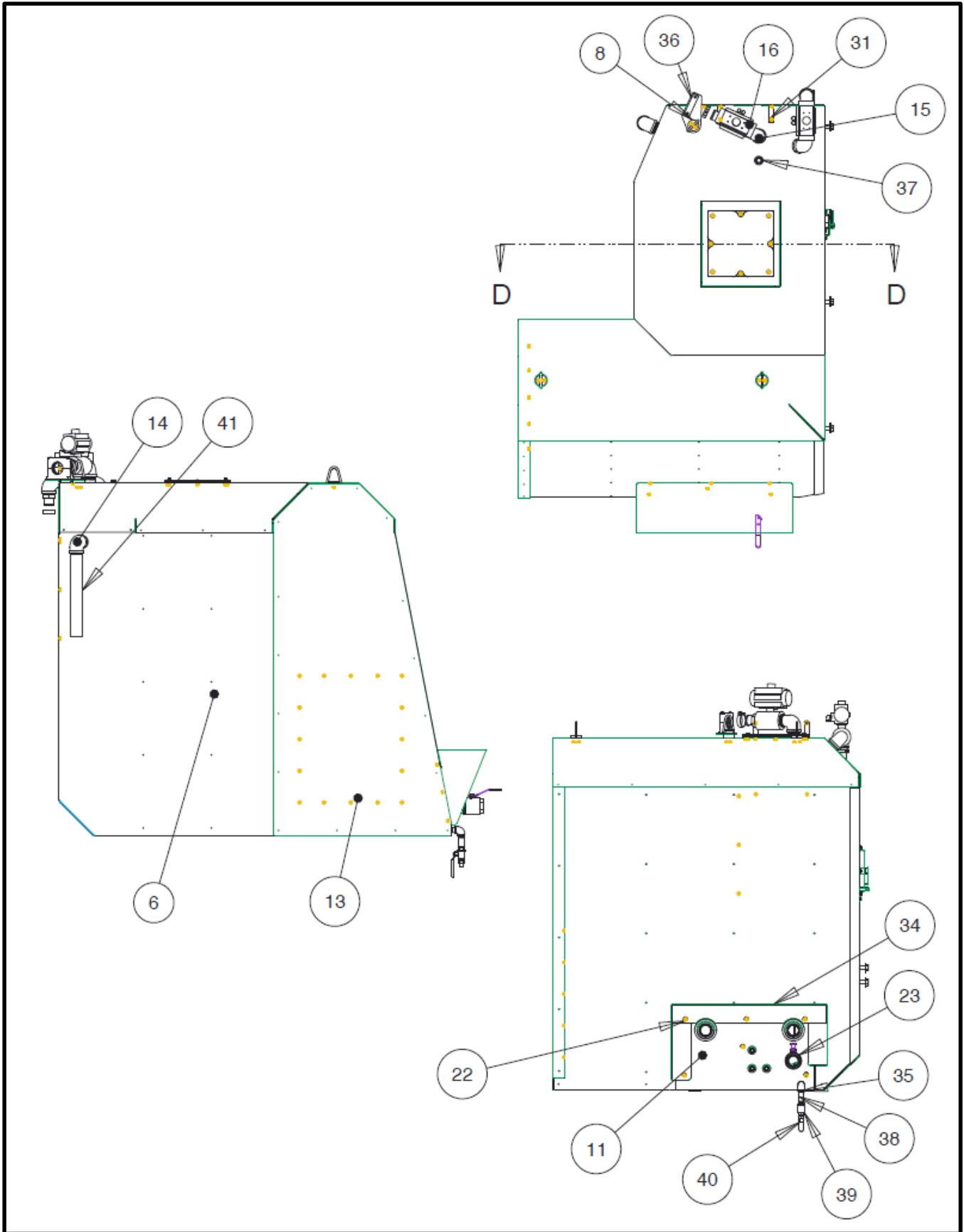
## Hopper Sleeve Assembly IDX21290

Item	Part No.	Qty.	Description
1	IDX21319	1	Weldment, hopper sleeve, front
2	IDX21309	1	Weldment, hopper insert, right
3	IDX21310	1	Weldment, hopper insert, left
4	IDX21255	14	Anchor, weld on W/stud 3/8-16
5	IDX10974	14	Fender washer, 3/8 x 1 1/4" OD ZP
6	IDX10187	14	Hex nut, Serr Flg 3/8-16

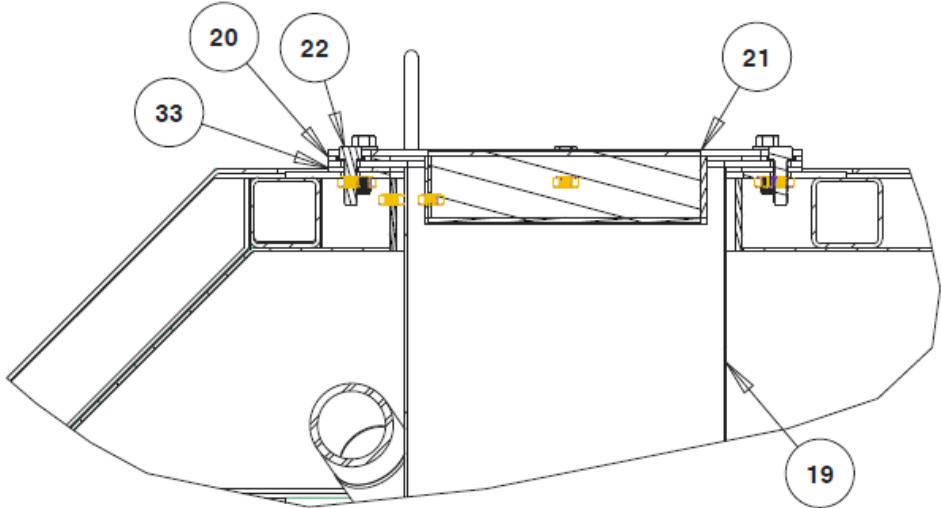
# Emulsion Tank, Left IDX21055



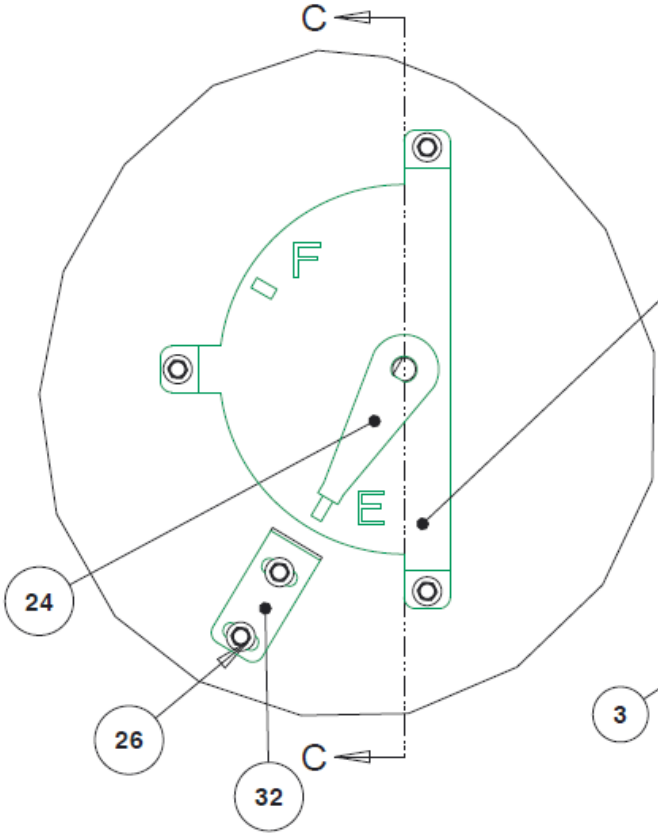
# Emulsion Tank, Left



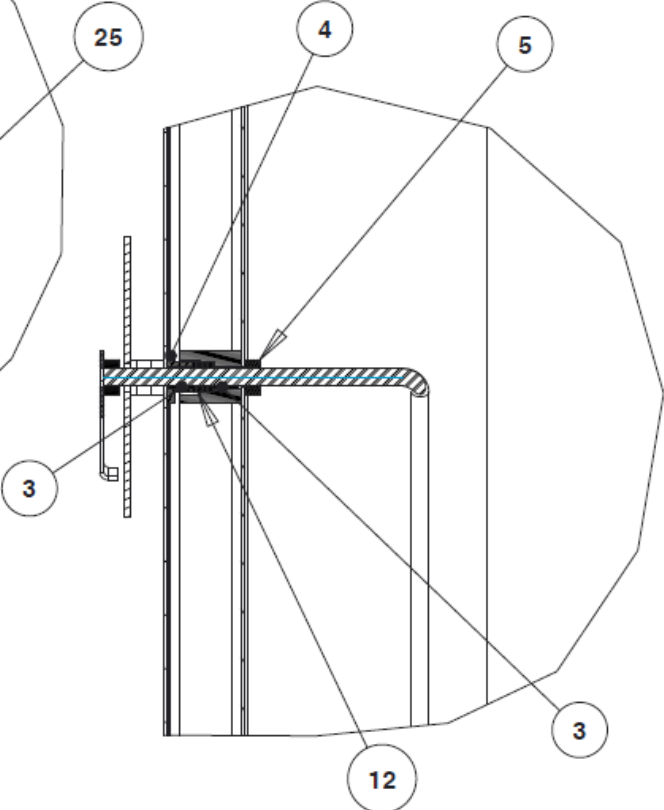
# Emulsion Tank, Left



**SECTION D-D**



**DETAIL B**



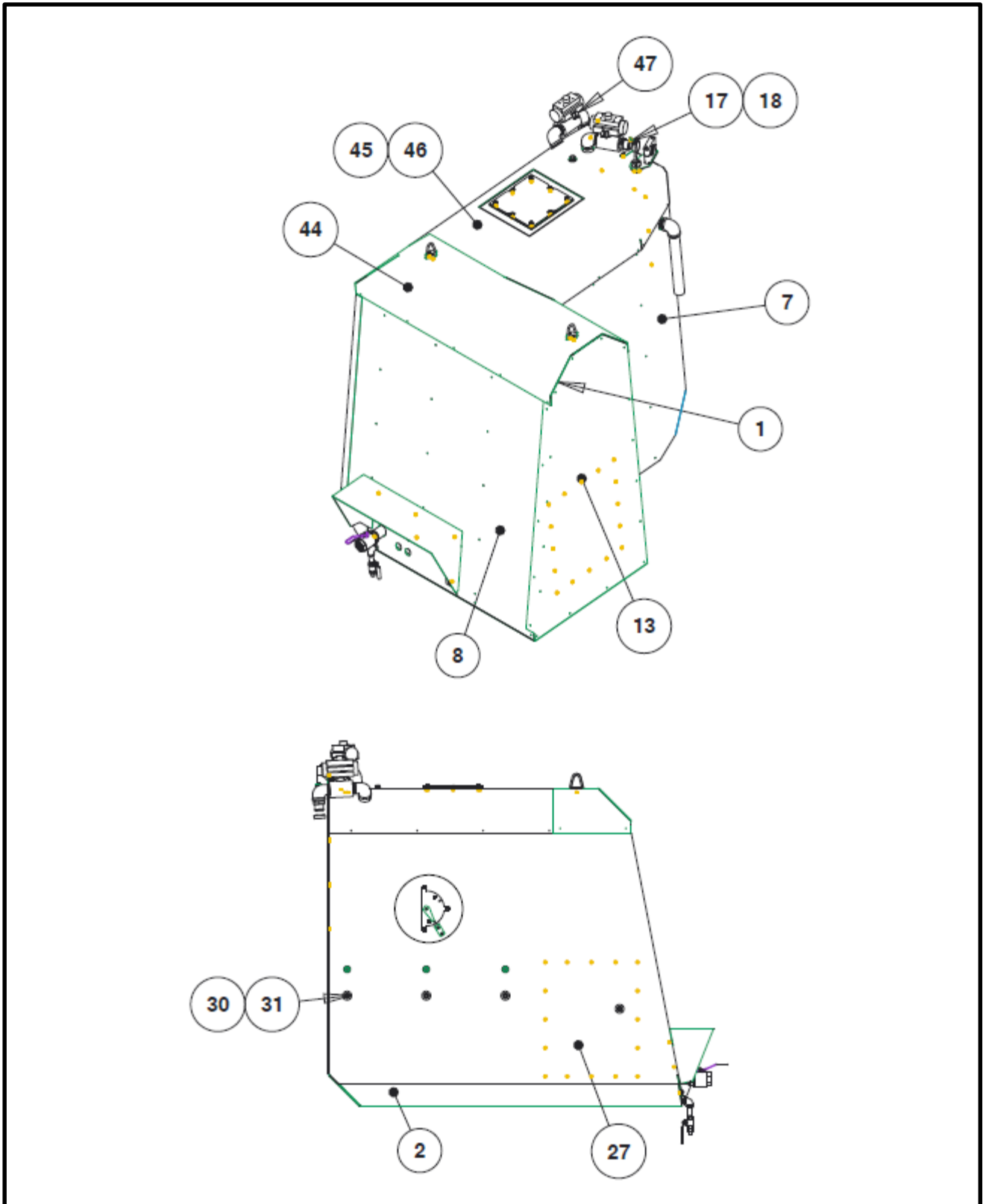
**SECTION C-C**

## Emulsion Tank, Left

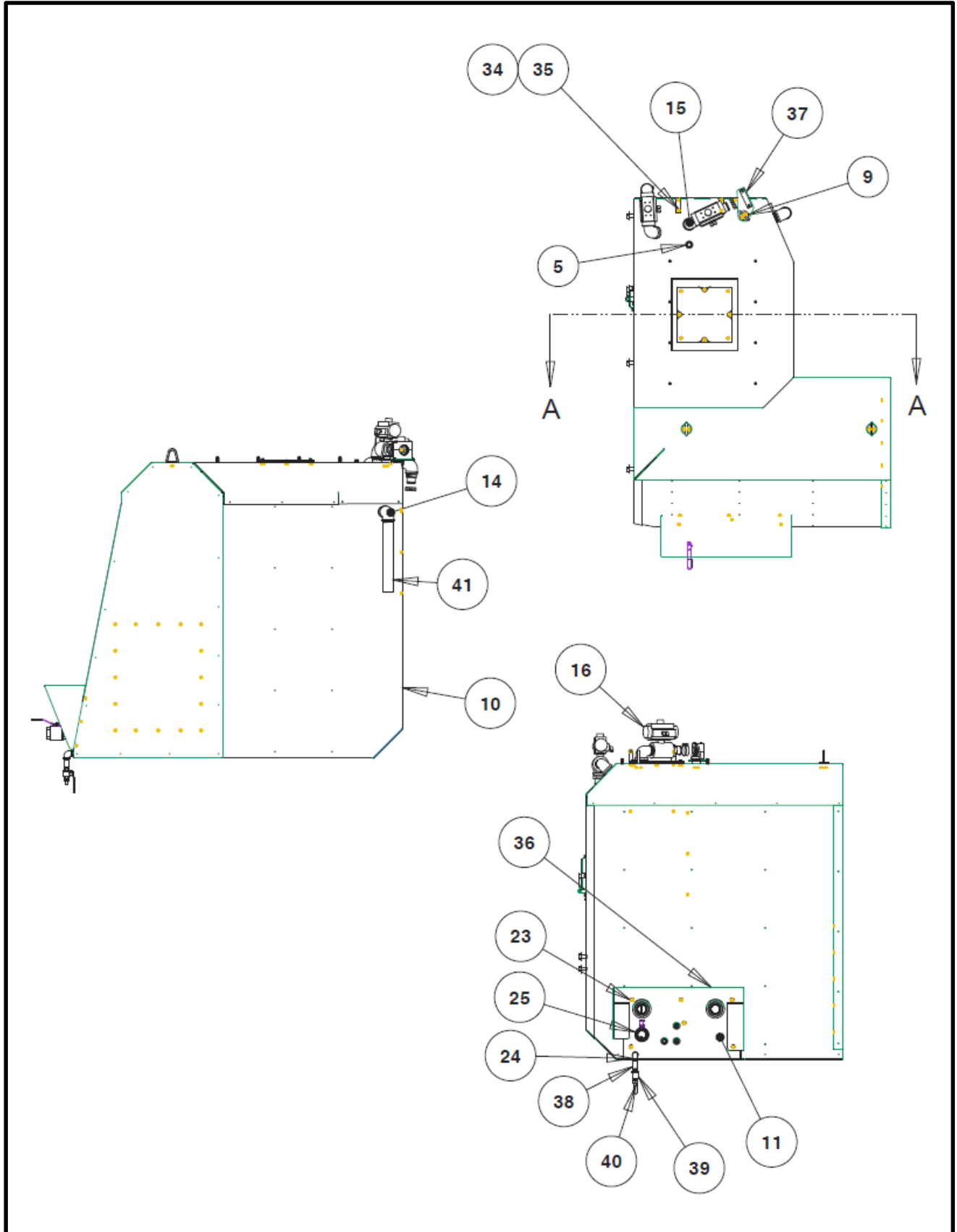
ITEM	PART NO.	QTY.	DESCRIPTION
1	IDX21056	1	LEFT TANK AS
2	IDX21069	1	SHEET
3	IDX21098	2	BUSHING
4	IDX21095	1	PACKING NUT
5	IDX21107	1	LEVEL AS
6	IDX21110	1	SHEET
7	IDX21111	1	SHEET
8	IDX11552	3	LIFTING EYES
9	IDX21112	1	SHEET
10	IDX22042	1	WLDT, MNT SHEET
11	IDX21121	1	SHEET
12	IDX21122	3	PACKING GLAND
13	IDX21123	1	SHEET
14	IDX10768	1	ELBOW, PIPE, 2" NPT
15	IDX10967	3	ELBOW, 2" NPT X 2" NPTF BLK
16	IDX10015	2	2" NPT AUTO VALVE
17	IDX21258	2	HOSE BARB, 2", BEADED
18	IDX10972	2	HOSE CLAMP,T-BOLT 2.3-2.7"
19	IDX21285	1	WLDT, LID STRAINER
20	IDX21312	1	GASKET, TANK COVER
21	IDX21291	1	WMT, COVER
22	IDX10186	14	HHCS FLG 3/8"-16 X 1 1/4 LG ZN
23	IDX10166	1	2" NPT BALL VALVE
24	IDX21156	1	POINTER AS
25	IDX10619	1	PLATE, TANK LEVEL
26	IDX10672	5	SCREW, SELF DRILLING 5/16 X 1.00
27	IDX21174	4	HHCS, 3/4-16 X 3, GR8
28	IDX21176	4	WASHER, 3/4", OVERSIZE
29	IDX10410	248	RIVET, 3/16 X 1.05 ALUM
30	IDX21220	2	WLDT, CLIP
31	IDX10195	2	FHHCS SERR 3/8-16 X 1" LG ZN
32	IDX21224	1	TAB, SWITCH MNT
33	IDX21293	1	GASKET, TANK COVER
34	IDX21226	1	SHEET
35	IDX23437	1	ELBOW, 3/4 NPT
36	IDX21268	1	ASSY, HOSE SUPPORT, L TANK
37	IDX21097	1	DIPSTICK AS
38	IDX10161	1	3/4" PIPE NIPPLE X 3 1/2" LG
39	IDX11578	1	VALVE, BALL, .75" FP BRASS
40	IDX11038	1	HOSEBARB, .75"MP-.75"HOSE
41	IDX21304	1	PIPE, SCH40, 2"
42	IDX10639	300 FT	FBRGL STRIP ADHSV BACK, 1/8" X 2"
43	IDX10905	180 SQ.FT	INUSLATION, ROCK WOOL, 2"
44	IDX10330	2	NUT,WELD, 3/8-16
45	IDX21108	1	SHEET
46	IDX21109	1	SHEET
47	IDX10878	4	1/8 NPT X 1/4 OD, 90 DEG PUSH IN



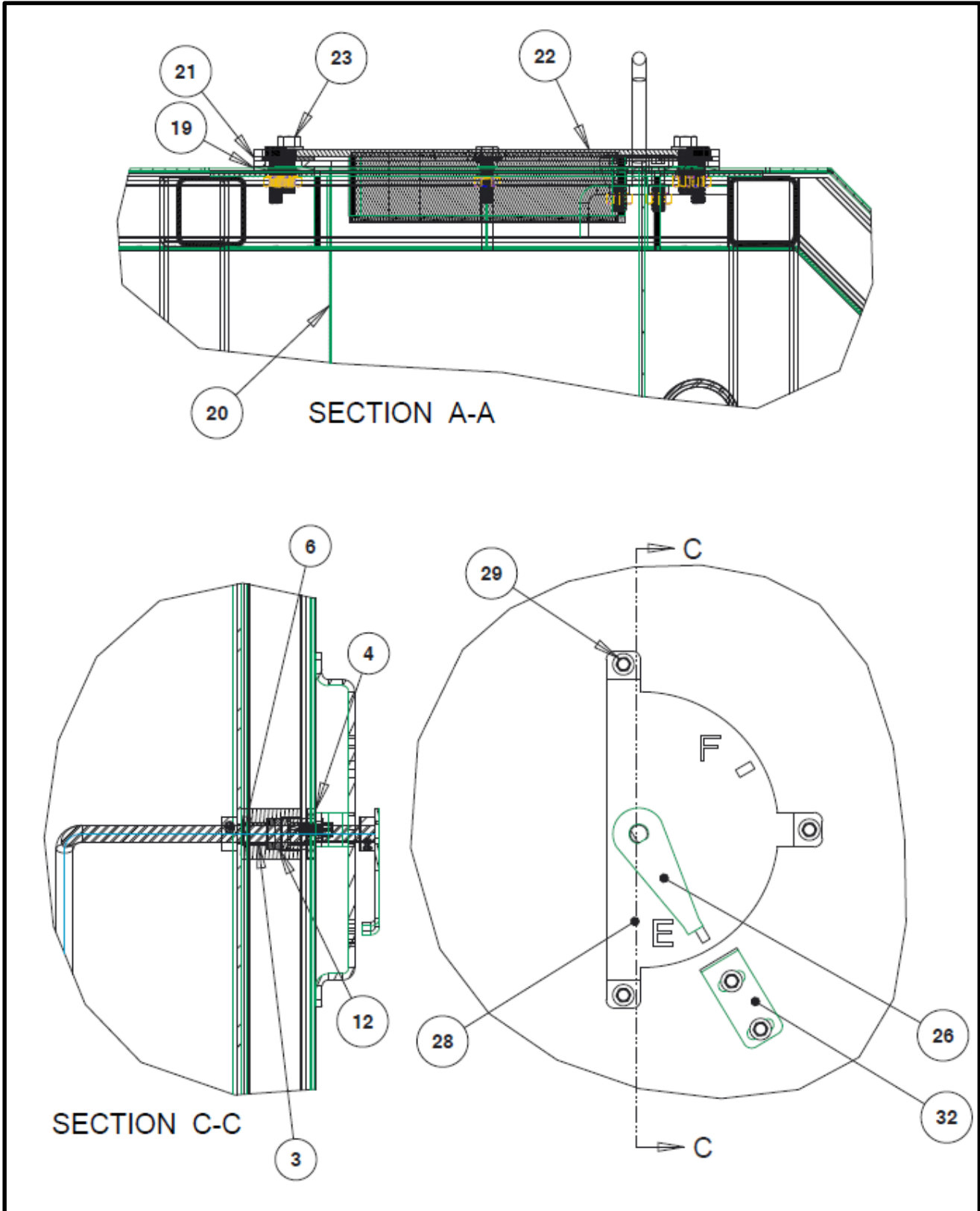
# Emulsion Tank, Right IDX21057



# Emulsion Tank, Right



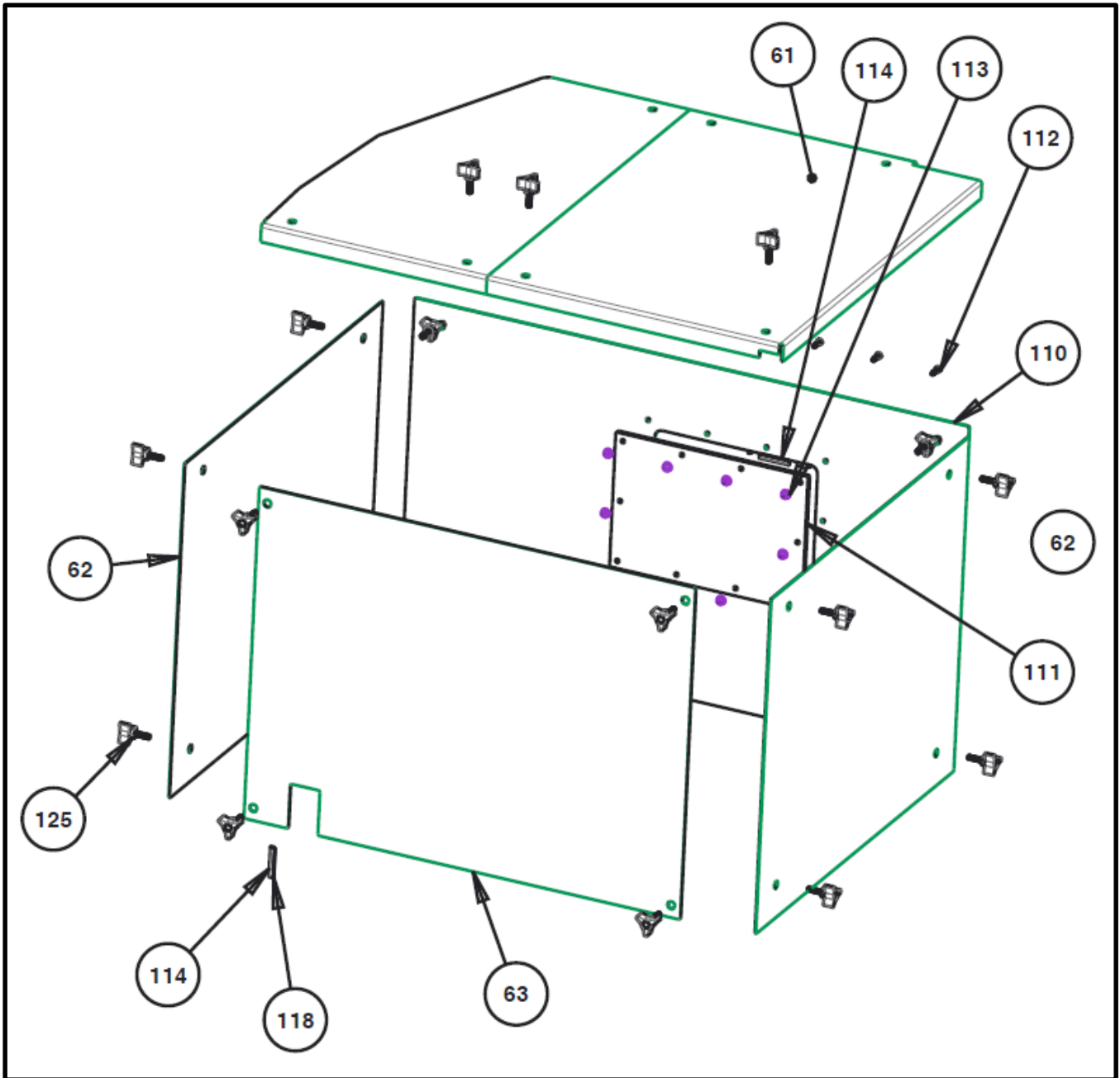
# Emulsion Tank, Right



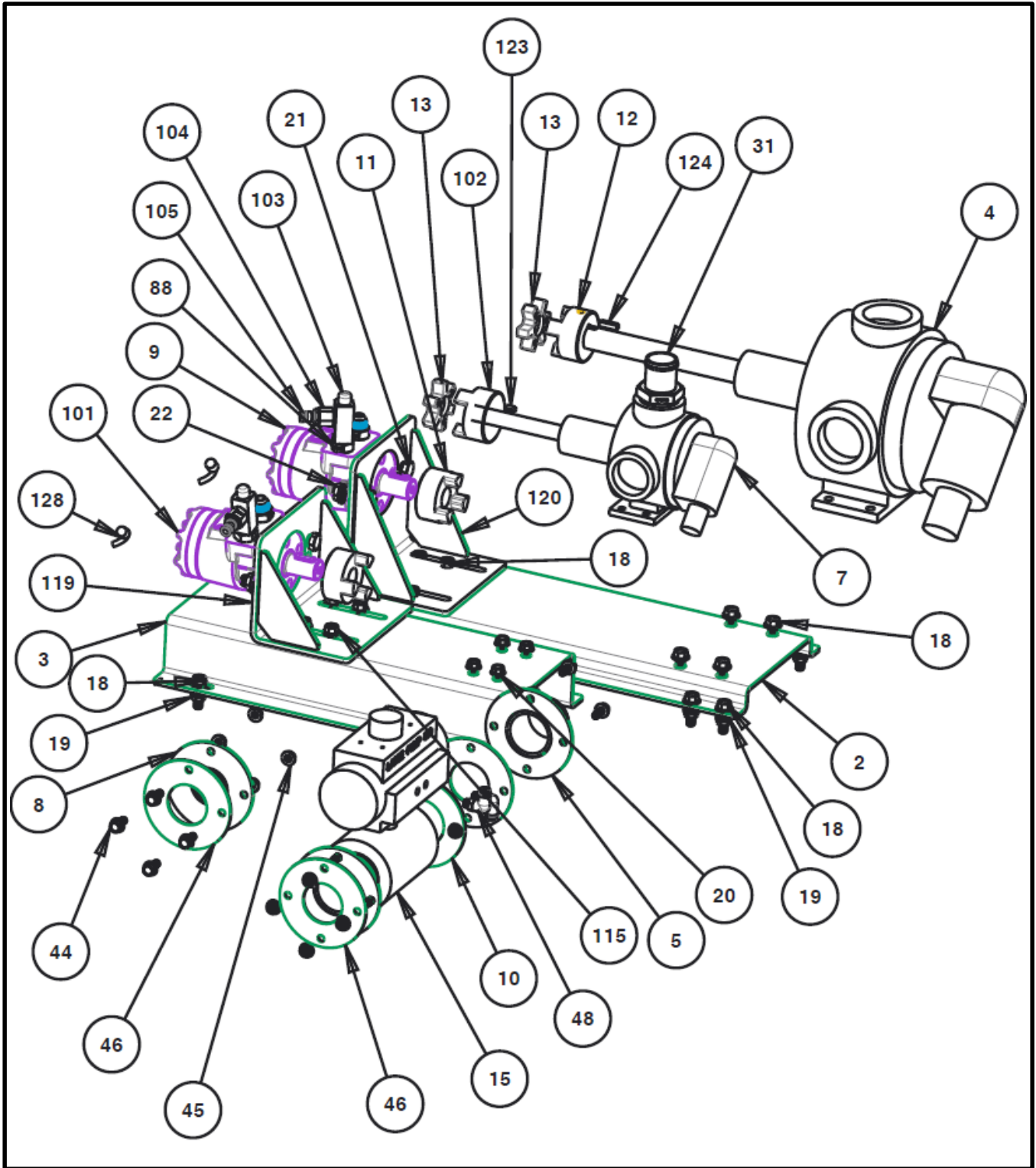
## Emulsion Tank, Right

ITEM	PART NO.	QTY.	DESCRIPTION
1	IDX21058	1	RIGHT TANK AS
2	IDX21183	1	SHEET
3	IDX21098	2	BUSHING
4	IDX21095	1	PACKING NUT
5	IDX21097	1	DIPSTICK AS
6	IDX21107	1	LEVEL AS
7	IDX21184	1	SHEET
8	IDX21185	1	SHEET
9	IDX11552	3	LIFTING EYES
10	IDX22043	1	WLDT, MNT SHEET
11	IDX21190	1	SHEET
12	IDX21122	3	PACKING GLAND
13	IDX21191	1	SHEET
14	IDX10768	1	ELBOW, PIPE, 2" NPT
15	IDX10967	3	ELBOW, 2" NPT X 2" NPTF BLK
16	IDX10015	2	2" NPT AUTO VALVE
17	IDX21258	2	HOSE BARB, 2", BEADED
18	IDX10972	2	HOSE CLAMP,T-BOLT 2.3-2.7"
19	IDX21293	1	GASKET, TANK COVER
20	IDX21285	1	WLDT, LID STRAINER
21	IDX21312	1	GASKET, TANK COVER
22	IDX21291	1	WMT, COVER
23	IDX10186	14	HHCS FLG 3/8"-16 X 1 1/4 LG ZN
24	IDX23437	1	ELBOW, 3/4 NPT
25	IDX10166	1	2" NPT BALL VALVE
26	IDX21156	1	POINTER AS
27	IDX21192	1	SHEET
28	IDX11513	1	PLATE, TANK LEVEL
29	IDX10672	5	SCREW, SELF DRILLING 5/16 X 1.00
30	IDX21174	4	HHCS, 3/4-16 X 3, GR8
31	IDX21176	4	WASHER, 3/4", OVERSIZE
32	IDX21224	1	TAB, SWITCH MNT
33	IDX10410	248	RIVET, 3/16 X 1.05 ALUM
34	IDX21220	2	WLDT, CLIP
35	IDX10195	2	FHHCS SERR 3/8-16 X 1" LG ZN
36	IDX21227	1	SHEET
37	IDX21269	1	ASSY, HOSE SUPPORT, L TANK
38	IDX10161	1	3/4" PIPE NIPPLE X 3 1/2" LG
39	IDX11578	1	VALVE, BALL, .75" FP BRASS
40	IDX11038	1	HOSEBARB, .75"MP-.75"HOSE
41	IDX21304	1	PIPE, SCH40, 2"
42	IDX10639	300 FT	FBRGL STRIP ADHSV BACK, 1/8" X 2"
43	IDX10905	180 SQ.FT	INUSLATION, ROCK WOOL, 2"
44	IDX21187	1	SHEET
45	IDX10330	2	NUT,WELD, 3/8-16
46	IDX21188	1	SHEET
47	IDX10878	4	1/8 NPT X 1/4 OD, 90 DEG PUSH IN

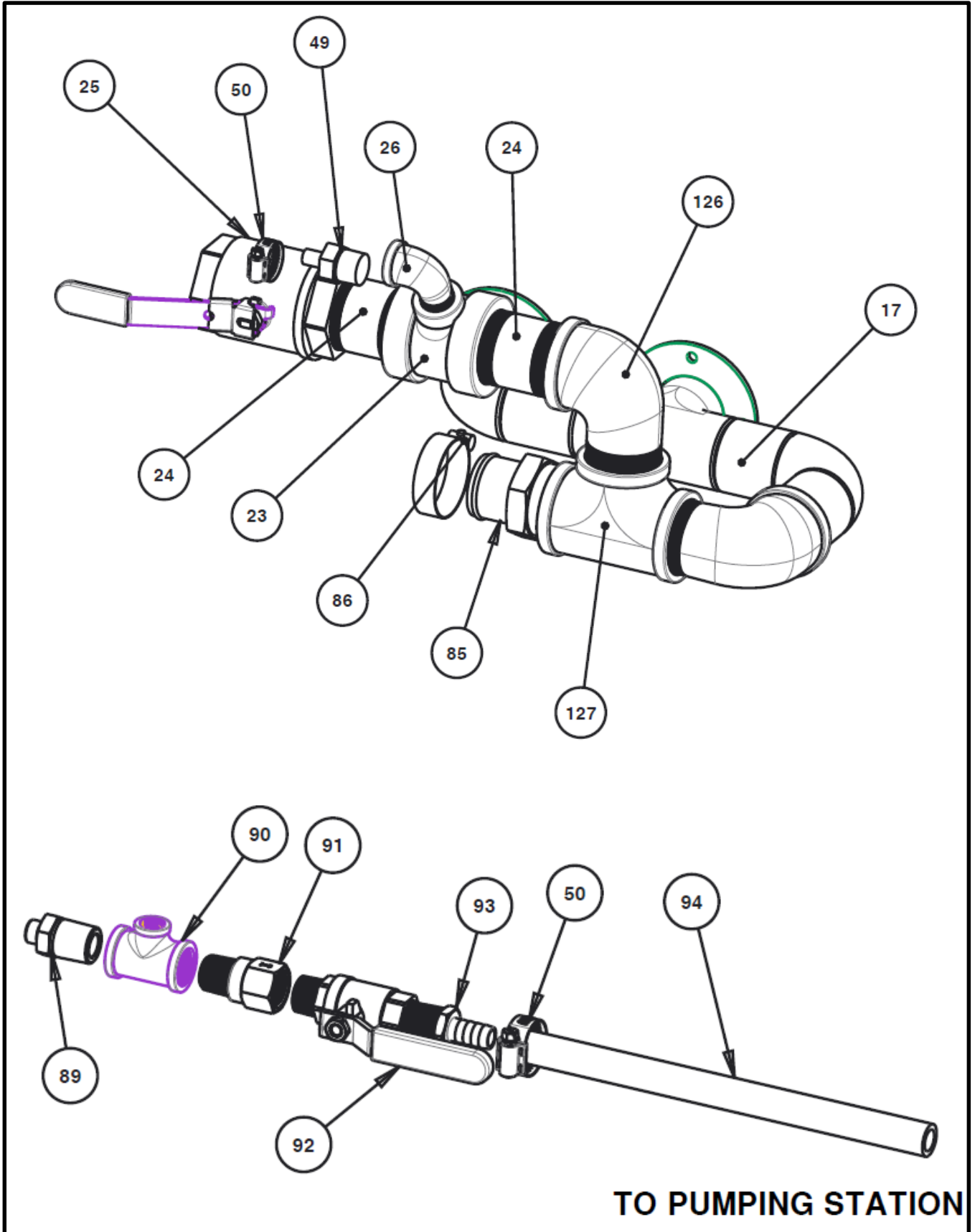
# Emulsion Pumping Station IDX22000



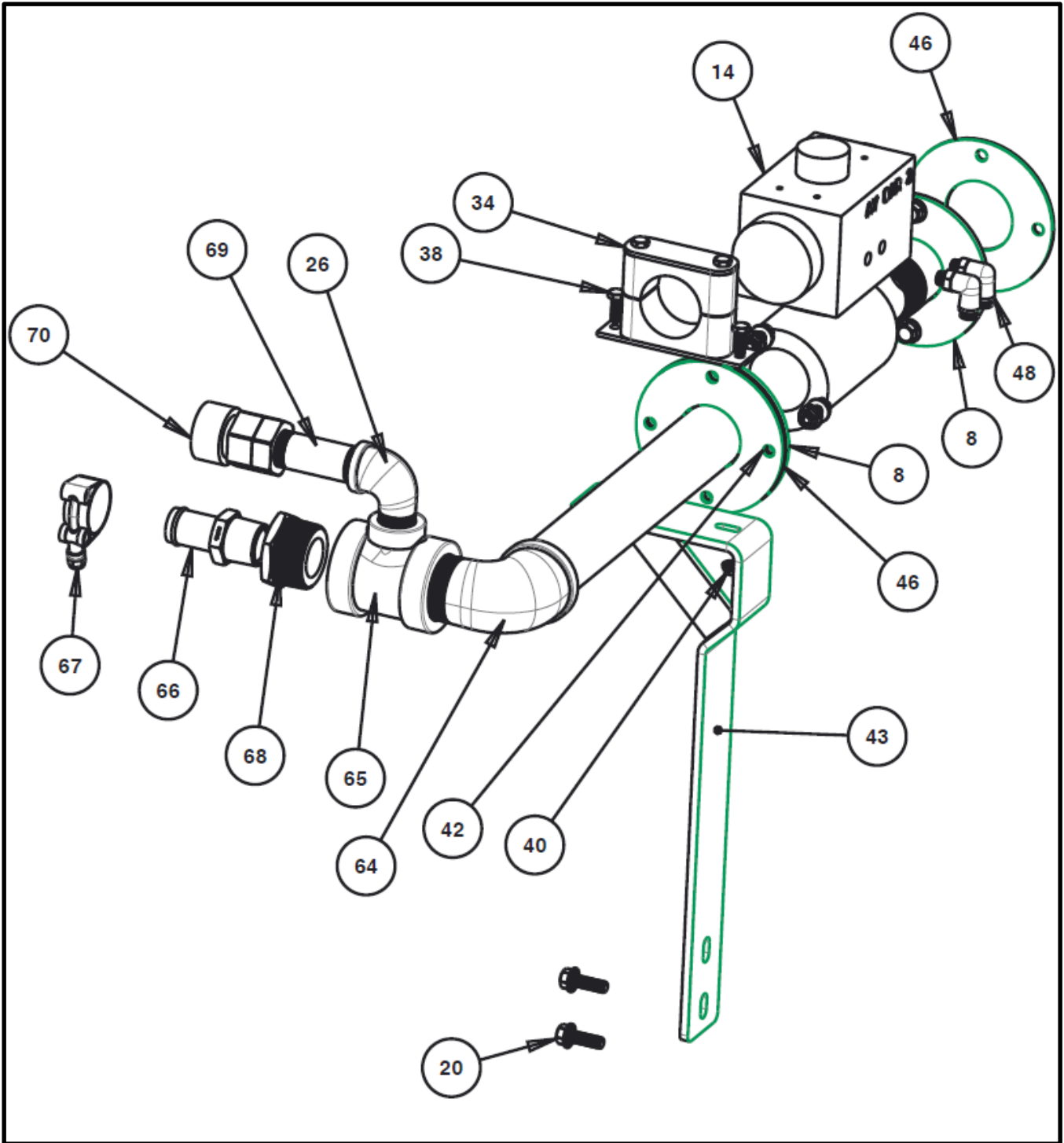
# Emulsion Pumping Station



# Emulsion Pumping Station

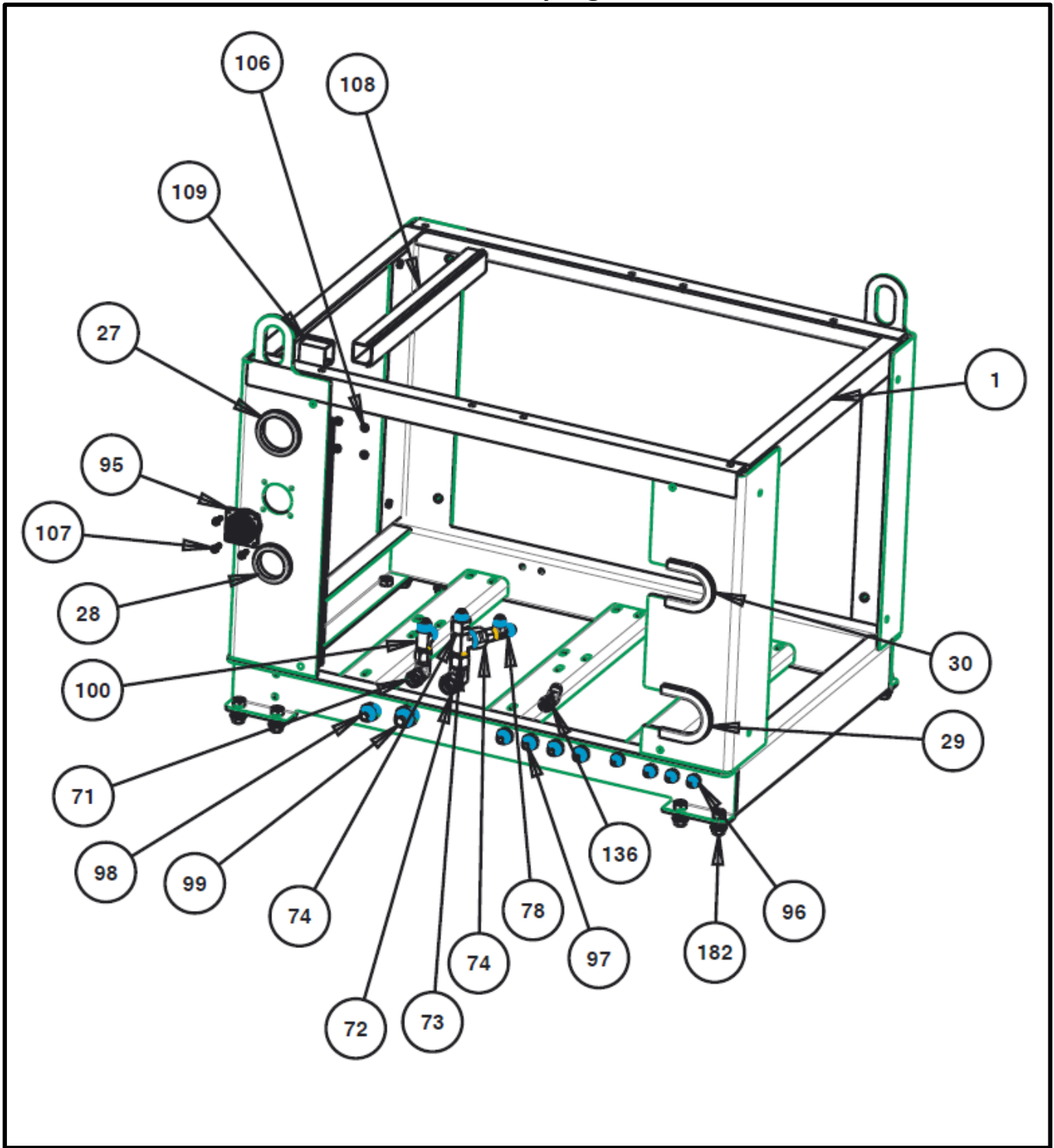


# Emulsion Pumping Station

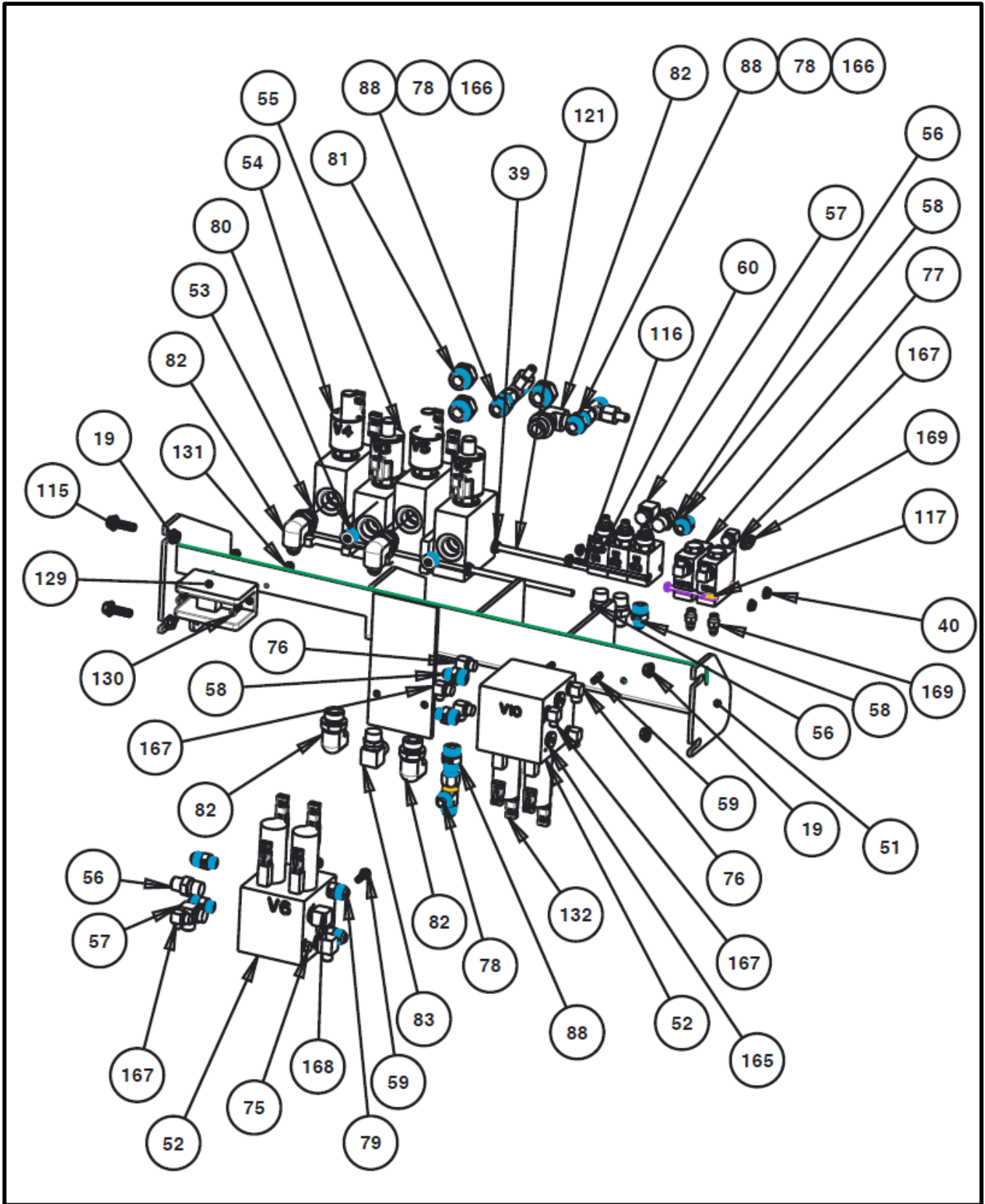




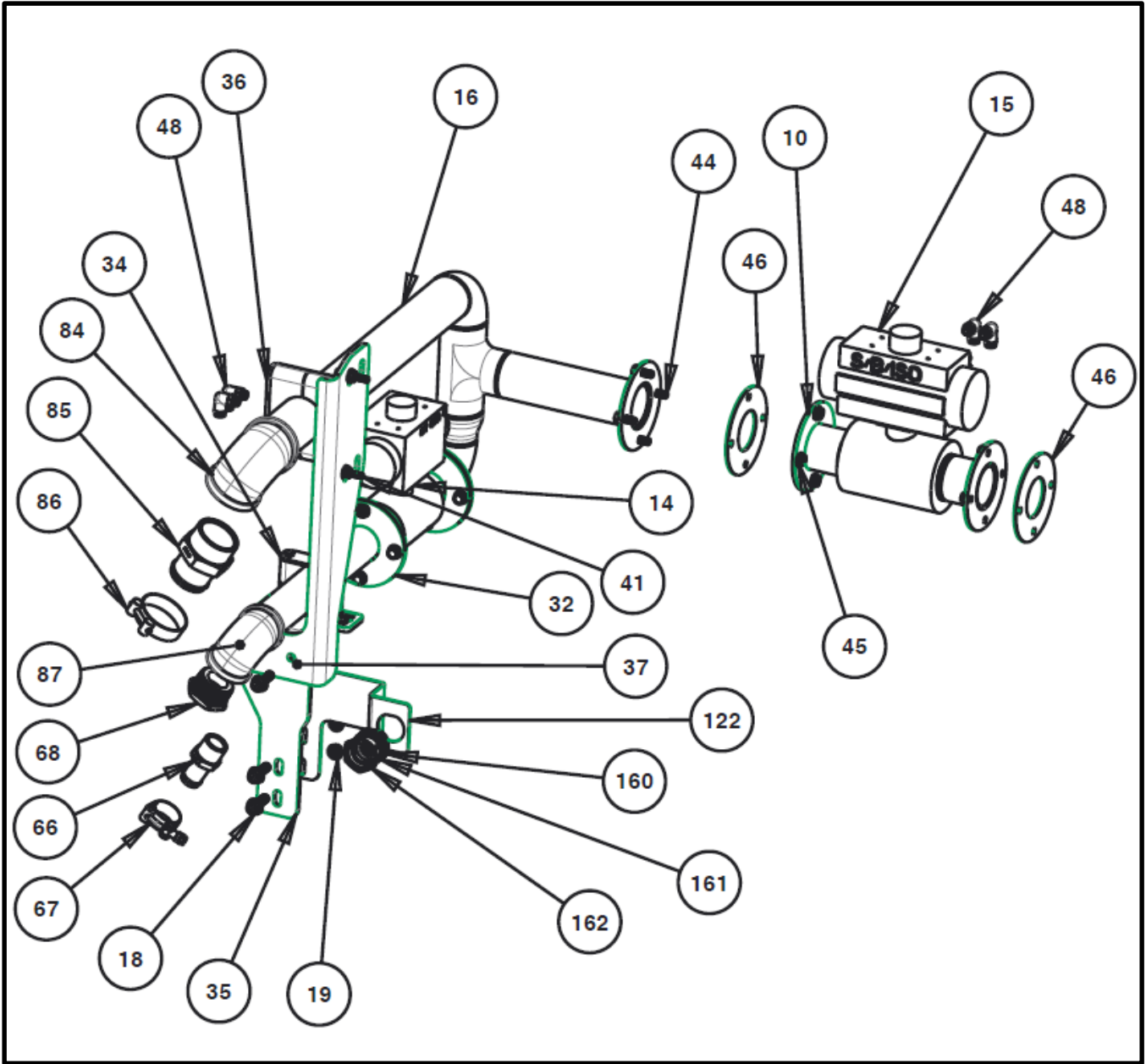
# Emulsion Pumping Station



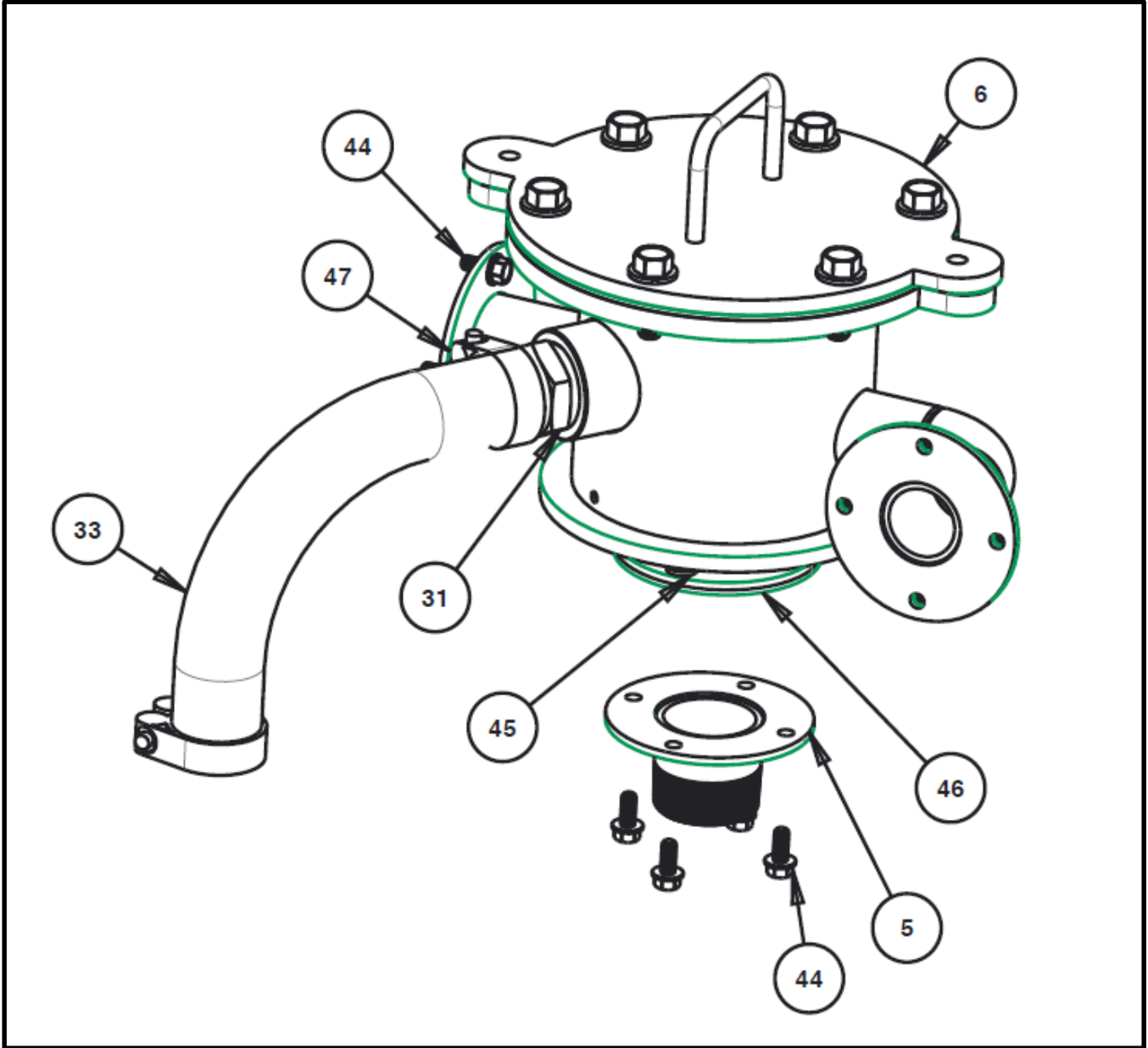
# Emulsion Pumping Station



# Emulsion Pumping Station



# Emulsion Pumping Station



## Emulsion Pumping Station

ITEM	PART NO.	QTY.	DESCRIPTION
1	IDX22016	1	WLDT, PUMP STATION
2	IDX10331	1	WLDT, PUMP PLATE LARGE
3	IDX10328	1	WLDT, PUMP PLATE SMALL
4	IDX10017	1	VIKING PUMP 50 GPM
5	IDX10348	2	WLDT, THRD FLG
6	IDX10070	1	ASSY, STRAINER-MANIFOLD
7	IDX10018	1	VIKING PUMP 20 GPM
8	IDX10350	5	WLDT THRDED FLG
9	IDX10073	1	HYD MOTOR, 6.2 CIR W/ SENSOR
10	IDX10352	4	WLDT, THRDED FLG
11	IDX10071	2	COUPLER, 1.0 SHAFT
12	IDX10336	1	COUPLER, 1 1/8 SHAFT
13	IDX10337	2	SPIDER
14	IDX10014	2	1 1/2" NPT AUTO VALVE
15	IDX10015	2	2" NPT AUTO VALVE
16	IDX10355	1	WLDT, 2"X1 1/2" PIPE FLG
17	IDX10367	1	WLDT, PIPE AR
18	IDX10186	28	HHCS SERR FLG 3/8-16 X 1 1/4 LG
19	IDX10187	24	SERR FLG HEX NUT 3/8-16
20	IDX10188	6	HHCS SERR FLG 5/16-18 X 1" LG
21	IDX10190	4	HHCS 1/2-13 X 1 3/4" LG
22	IDX10191	4	SERR FLG HEX NUT 1/2"-13
23	IDX10160	1	INLINE REDUCING TEE TO 3/4 PIPE
24	IDX10138	2	PIPE NIPPLE 2" X 3 1/2" LG
25	IDX10166	1	2" NPT BALL VALVE
26	IDX10473	2	3/4" PIPE ELBOW
27	IDX10458	1	2" PIPE GROMMET
28	IDX10459	1	1 1/2" PIPE GROMMET
29	IDX10461	1 FT	RUBBER EDGE TRIM
30	IDX10461	1 FT	RUBBER EDGE TRIM
31	IDX21270	2	HOSE BARB, BEADED, 1.5"
32	IDX10464	1	WLDT, THRDED PIPE FLG
33	IDX10463-	1	15 HOSE, 1 1/2" ID X 2.01 ODX 15" LG
34	IDX10182	2	STAUFFER CLAMP 1 1/2" PIPE
35	IDX10180	1	BRACKET
36	IDX10183	1	STAUFF-CLAMP 2" PIPE
37	IDX10181	1	BRACKET
38	IDX10197	4	HHCS 1/4-20 X 3/4" LG ZN
39	IDX10189	10	SERR HEX FLG NUT 5/16-18
40	IDX10194	8	SERR-FLG HEX LKNUT ZN 1/4-20
41	IDX10932	2	HHCS 1/4-20 X 1 1/2" LG ZN
42	IDX10466	1	WLDT, THRDED PIPE FLG
43	IDX10172	1	WLDT, BRKT 1 1/2" PIPE
44	IDX10369	40	HHCS FLG 5/16-18 X 3/4 LG

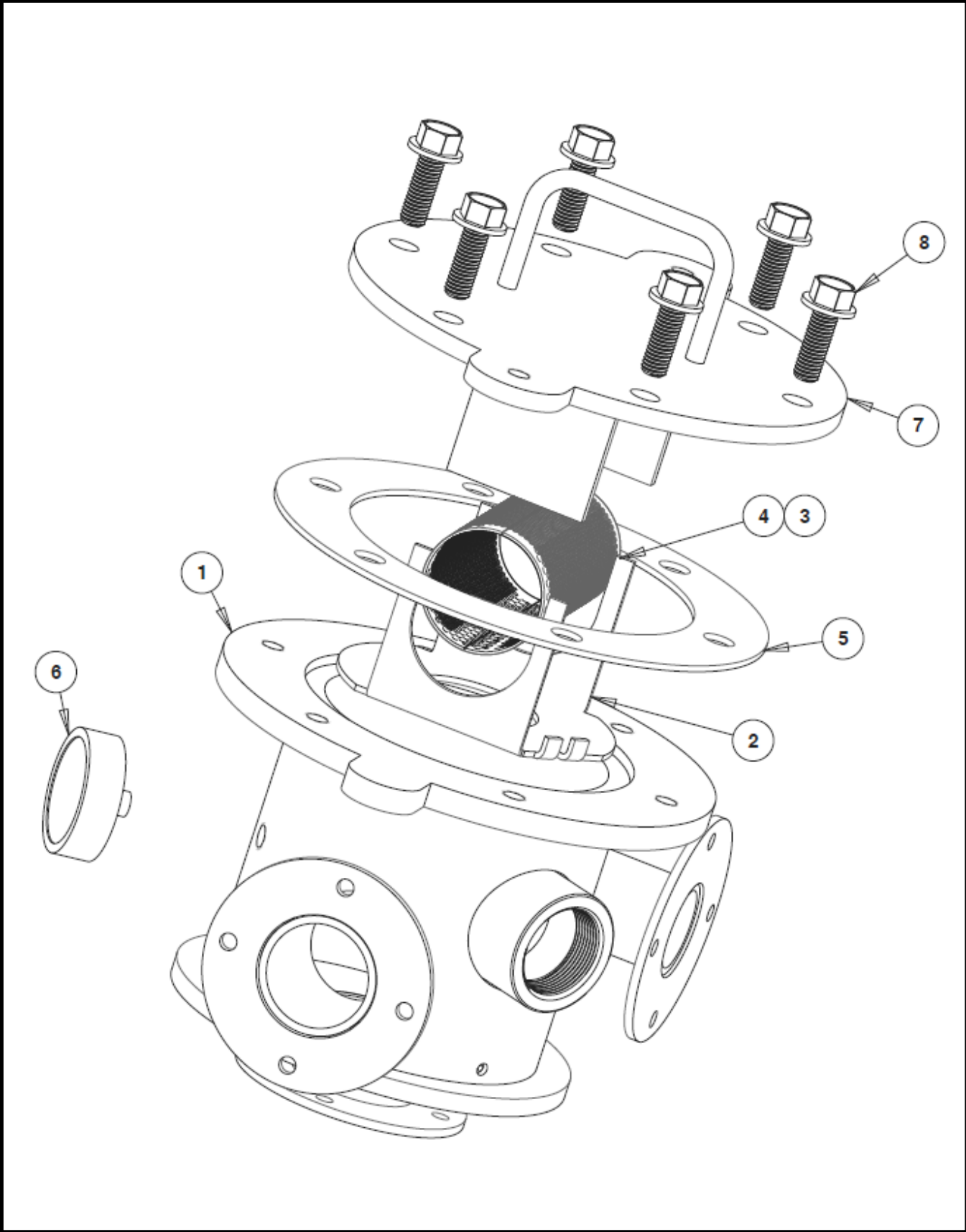
45	IDX10368	37	FLG HEX NUT LK 5/16-18 ZN
46	IDX10333	10	FLG GASKET
47	IDX10448	2	T-BOLT HOSE CLAMP
48	IDX10878	8	1/8 NPT X 1/4 OD, 90 DEG PUSH IN
49	IDX10879	1	HOSEBARB, 3/4 NPT X 1/2" HOSE
50	IDX23334	2	HOSE CLAMP, 1 1/4"
51	IDX22021	1	WMT, VALVE MNT
52	IDX10834	2	VALVE, MANIFOLD, 48" STROKE CYL
53	IDX22063	4	PLATE, SPACER
54	IDX11189	2	SEQUENCE VALVE
55	IDX11190	2	PROPORTIONAL VALVE
56	IDX10759	4	HYD FITTING, 8MB-8MJ STR
57	IDX10858	2	HYD FITTING, -8MB-8MJ90
58	IDX10298	4	ADAPTER, 8MB-6MJ STR
59	IDX10198	4	FHHCS SERR 1/4-20 X 1" LG ZN
60	IDX10838	3	FLOW CONTROL NEEDLE VALVE
61	IDX11343	2	COVER, PUMPING STATION, TOP
62	IDX11342	2	COVER,PUMPING STATION,FRONT
63	IDX11341	1	COVER, PUMPING STATION, LH
64	IDX11184	1	STREET ELBOW, 90 DEG. 1.5" NPT
65	IDX11107	1	1.5" X 1.5" X 3/4" REDUCINGTEE
66	IDX11177	2	HOSE BARB, 1" X 1" MP
67	IDX11179	2	HOSE CLAMP, TBAR, 1.5"
68	IDX10741	2	BUSHING, PIPE 1.5 X 1 BLK IRON
69	IDX10161	1	3/4" PIPE NIPPLE X 3 1/2" LG
70	IDX10524	1	QUICK COUPLING 3/4" NPT
71	IDX20242	1	ELBOW, 10FJX-10MJ90
72	IDX10303	1	ADAPTER, SWIVEL 12MJ-12FJX90
73	IDX11134	1	RUN TEE, 12MJ-12FJX-12MJ
74	IDX11093	2	ADAPTER, 8MJ-12FJ
75	IDX11018	1	PLUG, -6 MORB
76	IDX10658	4	ADAPTER, 6MB-6MJ90
77	IDX23532	2	VALVE, SHUTTLE
78	IDX11060	4	FITTING, RUN TEE, 8MJ-8FJX-8MJ
79	IDX11091	4	ADAPTER 6MB-8MJ
80	IDX11196	2	PLUG, 10MB
81	IDX11194	3	ADAPTER, 12MB-8MJ STR
82	IDX22054	5	ELBOW FITTING, 12MB-8MJ 90
83	IDX10770	1	HYD FITTING, -10MB X -8SAE 90 DEG
84	IDX10768	1	ELBOW, PIPE, 2" NPT
85	IDX21258	2	HOSE BARB, 2", BEADED
86	IDX10972	2	HOSE CLAMP,T-BOLT 2.3-2.7"
87	IDX10771	1	ELBOW, 90DEG BLK IRON 1.5" NPT
88	IDX11059	7	ADAPTER, 10MB-8MJ STR
89	IDX10291	1	FITTING, 6MB-8MP
90	IDX10881	1	FITTING, 8FP-4FP-8FP
91	IDX10293	1	CHECK VALVE, 1/2"MNPTX1/2"FNPT

92	IDX10883	1	BALL VALVE, 1/2"MNPTX1/2"FNPT
93	IDX10300	1	HOSE BARB, 1/2"HOSEIDX1/2"MNPT
94	IDX10885	40 FT	HOSE, RUBBER 1/2" ID X .75 OD
95	IDX20006	1	BULKHEAD CONNECTOR, 12 STATION
96	IDX22010	4	ADAPTER, 6MJ-6BKHD
97	IDX22002	4	ADAPTER, 8MJ-8BKHD
98	IDX22003	1	ADAPTER, 10MJ-10BKHD
99	IDX22004	1	ADAPTER, 12MJ-12BKHD
100	IDX22013	1	ADAPTER, 10MJ-10FJX-10MJ
101	IDX20057	1	HYD MOTOR, 2.2 CIR W/ SENSOR
102	IDX22009	1	COUPLER, FLEX 3/4" BORE
103	IDX20273	2	TEST TEE, 08JIC RUN, 04MB
104	IDX20272	2	ADAPTER, 4MB-6FB
105	IDX20064	2	HYD TEST PORT
106	IDX22019	4	NUT LOCKING, 10-32
107	IDX22020	4	FLG CAP SCRW 10-32 X .75 LG
108	IDX10283	19"	WIRE DUCT
109	IDX10283	2"	WIRE DUCT
110	IDX11340	1	COVER, PUMPING STATION. RH
111	IDX22070	1	SHEET, WINDOW
112	IDX10761	10	MACH SCREW, 10-24 X 3/4
113	IDX10902	10	NUT, #10-24 FLANGE NYLOCK
114	IDX20248	5 FT	EDGE TRIM, PLASTIC, METAL CORE
115	IDX22025	6	3/8-16 X 1-1/2 LG CAP SCREW SR
116	IDX11019	2	HHCS 1/4-20 X 4.5" LG ZN
117	IDX22029	2	1/4-20 X 3.0 LG CAP
118	IDX11082	1	ADHESIVE, LOCTITE 454
119	IDX22018	1	WDLT, MTG BRKT
120	IDX10089	1	WDLT, MTG BRKT
121	IDX22066	2	THREADED ROD, 5/16-18
122	IDX22038	1	SHEET
123	IDX11073	1	KEY, 3/16 SQ.
124	IDX11074	1	KEY, 1/4 SQ.
125	IDX22044	24	KNOB WITH THREADED STUD
126	IDX21142	2	ELBOW, 2" F NPT TO 2" M NPT
127	IDX10146	1	2" PIPE TEE
128	IDX10229	2	CONNECTOR, CORDSET
129	IDX22051	1	TERMINAL BLOCK, 1 POLE 600V
130	IDX22052	2	8-32 PAN HD MACHINE SCREW
131	IDX22053	2	8-32 SERRATED-FLGD LOCKNUT STL
132	IDX10242	12	CNCTR PLUG, 2-PIN
133	IDX10243	12	WEDGELOCK W2S
134	IDX10236	24	CONTACT SOCKET, 16
135	IDX23336	100	WIRE, 20 AWG GXL, GRY
136	IDX20241	1	FITTING, 8FJ-8MJ 45
137	IDX10867	10 FT	TUBING, 1/4" OD, PNEUMATIC, BLU
138	IDX10868	10 FT	TUBING, 1/4" OD, PNEUMATIC, NAT

139	IDX20027	10 FT	TUBING, 1/4" OD, PNEUMATIC, GRN
140	IDX20028	10 FT	TUBING, 1/4" OD, PNEUMATIC, YLW
160	IDX20611	1	CNCTR, RECPT, 18 POS
161	IDX20635	1	LOCK WASHER FOR HD SIZE 18 BLKHD
162	IDX20634	1	JAM NUT FOR HD SIZE 18 BLKHD
163	IDX20631	19	CONTACT PIN, SIZE 20
164	IDX20633	2	CAVITY PLUG, 20
165	IDX11197	2	PLUG, 8MB
166	IDX23537	2	ADAPTER, 8FJ-4MJ STR
167	IDX23535	6	ADAPTER, 6MB-4MJ90
168	IDX23536	2	HYD FITTING, -8MB-6MJ90
169	IDX23534	3	ADAPTER, 6MB-MJ STR
182	IDX23411	8	HHFCS 1/2-13 X 1.25



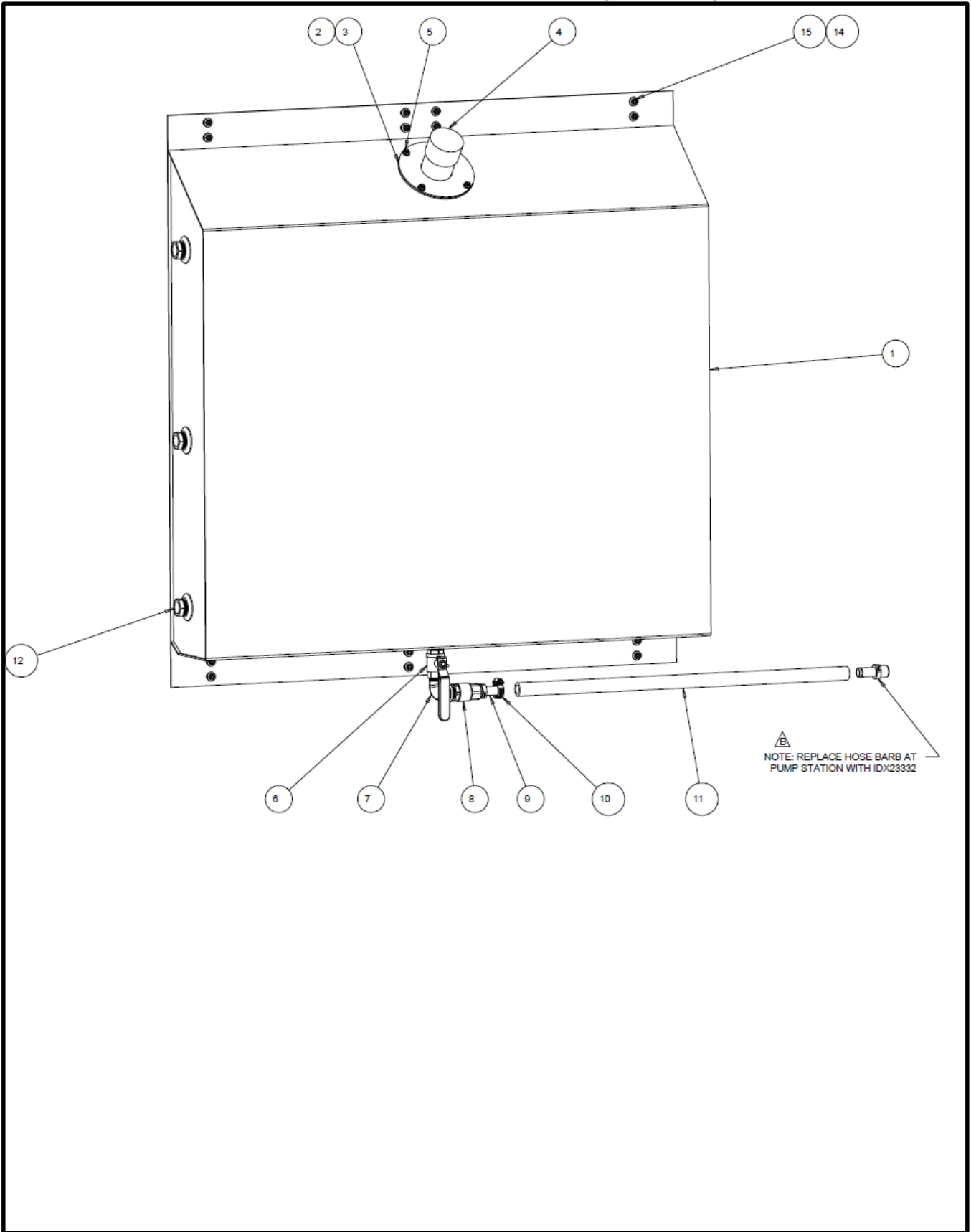
# Strainer Housing IDX10070



## Strainer Housing

Item	Part No.	Qty.	Description
1	IDX10115	1	Weldment, strainer housing
2	IDX22034	1	Sheet, formed
3	IDX22035	1	Screen, 1/8" holes
4	IDX22036	1	Screen, 1/16" holes
5	IDX10122	1	Gasket, strainer
6	IDX10124	1	Pressure gage
7	IDX10391	1	Weldment, strainer cover
8	IDX10359	6	HHCS Flg, 1/2-13 x 1 1/2" lg

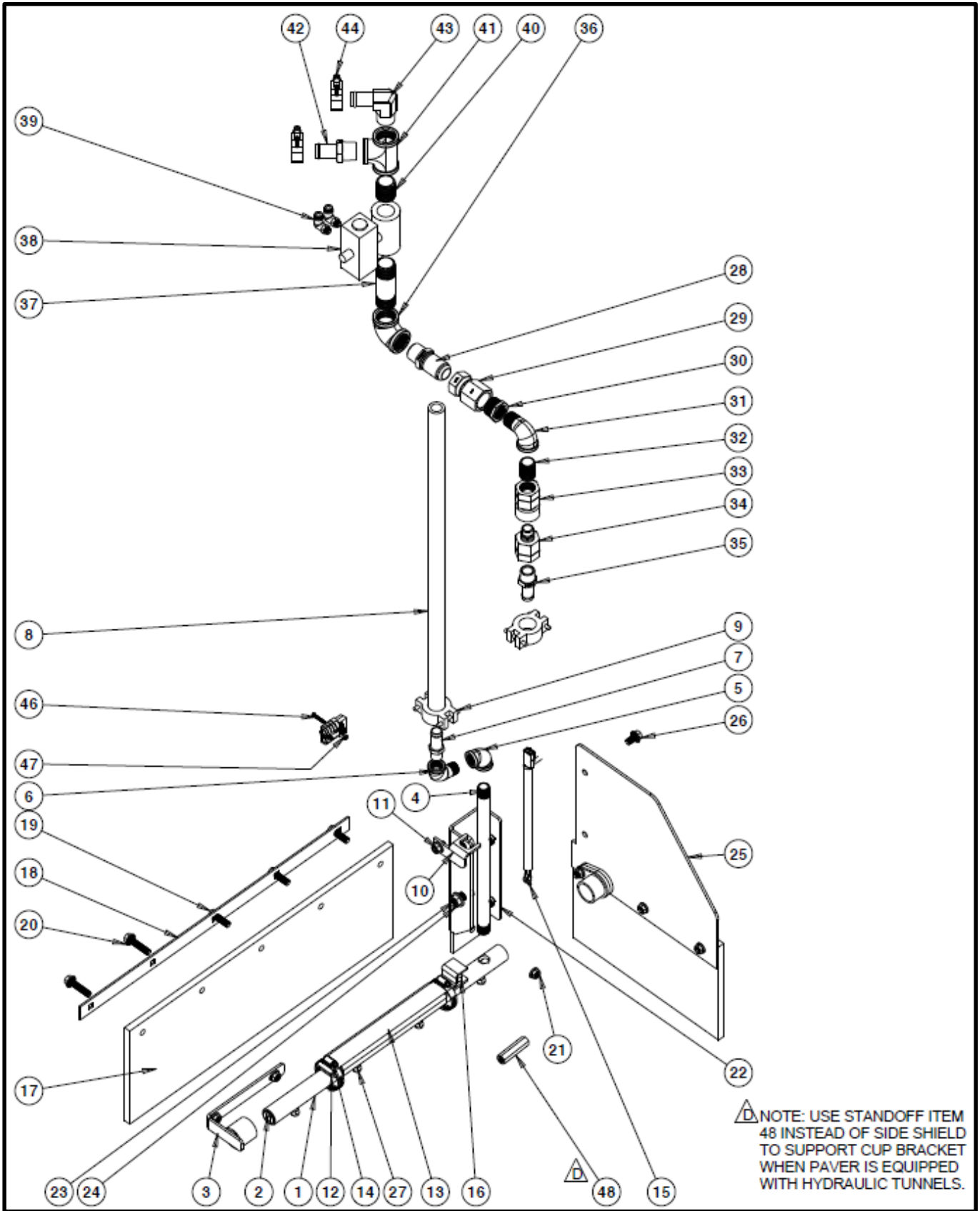
# CLEANOUT TANK IDX21370 (OPTION)



## CLEANOUT TANK IDX21370 (OPTION)

ITEM	PART NO.	QTY.	DESCRIPTION
1	IDX21371	1	WLDT, CLEANOUT TANK
2	IDX21333	1	GASKET
3	IDX21340	1	WLDT, FILL NECK
4	IDX21342	1	FILL CAP
5	IDX10194	4	SERR-FLG HEX LKNUT ZN 1/4-20
6	IDX21338	1	BALL VALVE, 3/4 NPT, M F
7	IDX10473	1	3/4" PIPE ELBOW
8	IDX21339	1	CHECK VALVE, 3/4 NPT, M TO F
9	IDX23332	2	BEADED HOSEBARB, 3/4
10	IDX23334	1	HOSE CLAMP, 1 1/4"
11	IDX11040	30 FT	HOSE, 3/4" ID
12	IDX21375	3	SIGHT GLASS, 1" NPT
13	IDX21357	16	RIVET NUT, 1/4-20
14	IDX10196	16	WASHER, FLAT 1/4" ZN
15	IDX20192	16	HHCS, 1/4-20, 1" LONG

# Rear Spay Bar for Wheeled Paver, Left IDX23610

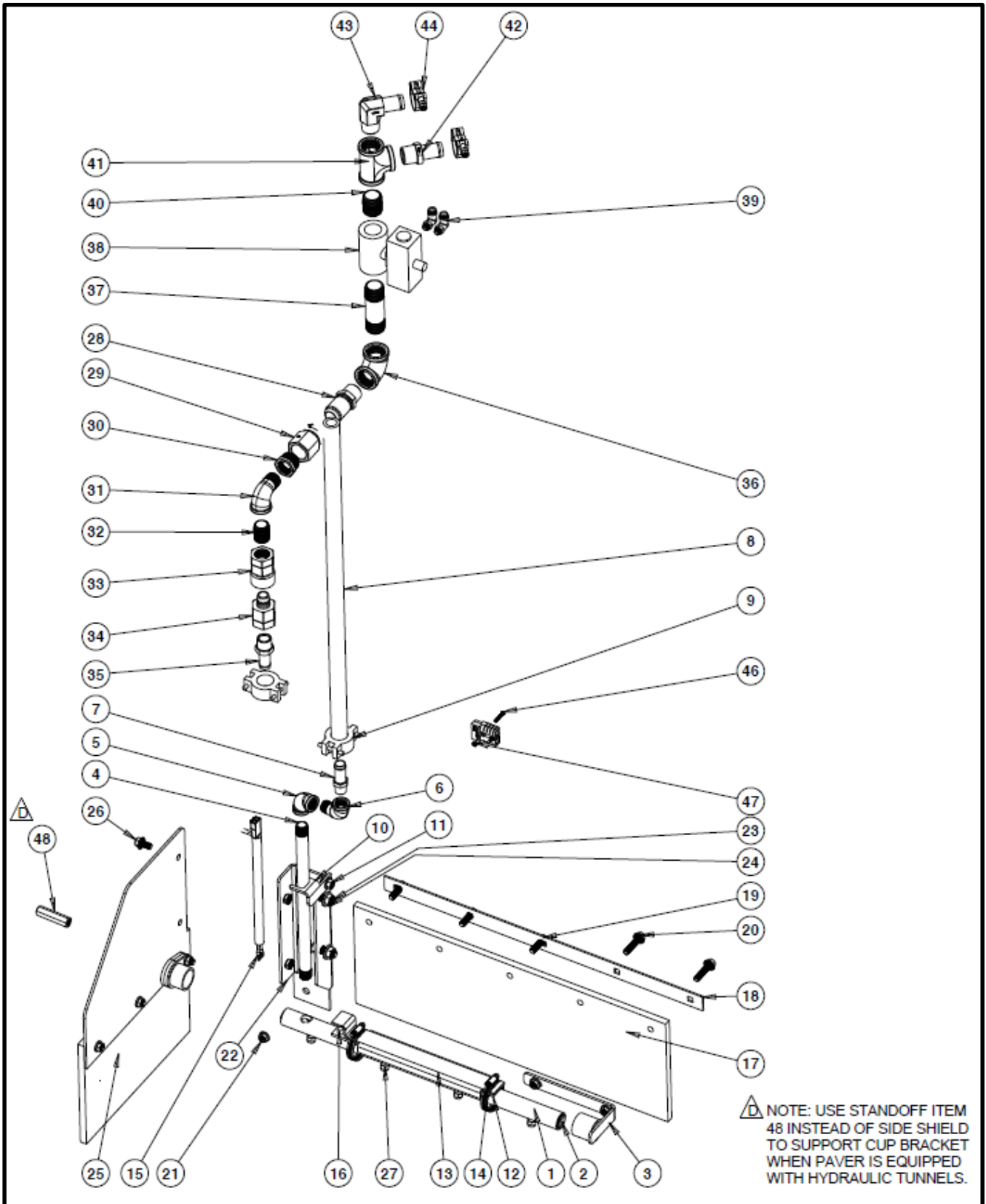


## Rear Spay Bar for Wheeled Paver, Left

ITEM	PART NO.	QTY.	DESCRIPTION
1	IDX23666*	1	PIPE, ALUM, L REAR SB, 6 IN
2	IDX23438*	2	PLUG, 3/4 NPT, ALUM
3	IDX23612*	1	WLDT, CUP BRACKET
4	IDX23617*	1	PIPE, SCH40 1/2MNPT X 14 IN
5	IDX23591*	1	ELBOW, 1/2" FNPT 90
6	IDX11193*	1	ELBOW, 1/2 NPT STREET
7	IDX23439*	1	BEAD HOSE BARB, 3/4", 1/2" NPT
8	IDX11040*	2 FT	HOSE, 3/4" ID
9	IDX21261*	2	CLAMP, DOUBLE BOLT, 3/4"
10	IDX23596*	1	SHEET, BKT, L
11	IDX23608*	1	HHFCS, 3/8-16 X 1/2"
12	IDX23300*	1	HEAT STRIP
13	IDX23405*	1	SHEET, HEATER CLAMP
14	IDX23399*	2	HOSE CLAMP, 2.25"
15	IDX20607*	1	CABLE ASSY, REAR SB
16	IDX23412*	2	TERMINAL COVER, CERAMIC
17	IDX23630	1	SKIRT, REAR SB
18	IDX23427	1	SHEET
19	IDX10186	3	HHCS FLG 3/8"-16 X 1 1/4 LG ZN
20	IDX23613	2	HHCS, FLG, 3/8-16 X 1.75
21	IDX10187	3	SERR FLG HEX NUT 3/8-16
22	IDX23598*	1	WLDT, SHIELD BKT, L
23	IDX23411*	2	HHFCS 1/2-13 X 1.25
24	IDX10191*	2	SERR FLG HEX NUT 1/2"-13
25	IDX23618*	1	ASSY, SHIELD, L
26	IDX11099*	2	FHHCS SERR 3/8-16 X 3/4"
27	IDX23452	4	SPRAY NOZZLE-VJ,1/4
28	IDX11175	1	ADAPTER, 16MP-16MJ BKHD
29	IDX11176	1	ADAPTER, 16FJX-16FP
30	IDX23320	1	BUSHING, 1" TO 3/4" NPT
31	IDX10473	1	3/4" PIPE ELBOW
32	IDX11225	1	PIPE NIPPLE, 3/4" NPT CLOSE
33	IDX10524	1	QUICK COUPLING 3/4" NPT
34	IDX10164*	1	3/4 NPT QUICK COUPLER MALE
35	IDX23332*	1	BEADED HOSEBARB, 3/4
36	IDX11599	1	ELBOW, 1" PIPE
37	IDX23236	1	PIPE, 1" NPT X 4"
38	IDX23294	1	VALVE, BI-TORQ, 1" NPT
39	IDX10878	2	1/8 NPT X 1/4 OD, 90 DEG PUSH IN
40	IDX23311	1	PIPE, SCH40, 1 NPT, 1.5" L
41	IDX23312	1	PIPE TEE, SCH40, 1" NPT
42	IDX11177	1	HOSE BARB, 1" X 1" MP
43	IDX11178	1	HOSE BARB, 1" X 1" MP90
44	IDX11179	2	HOSE CLAMP, TBAR, 1.5"
46	IDX11000	2	SCREW, 6-32 X 1.00 L ZP
47	IDX20773	2	LOCK NUT, 6-32, NYLON INSERT
48	IDX20769	1	STANDOFF, 3/8-16 X 2.5", 5/8" HEX

**Spare parts kit IDX24320 includes parts marked with \***

## Rear Spay Bar for Wheeled Paver, Right IDX23611



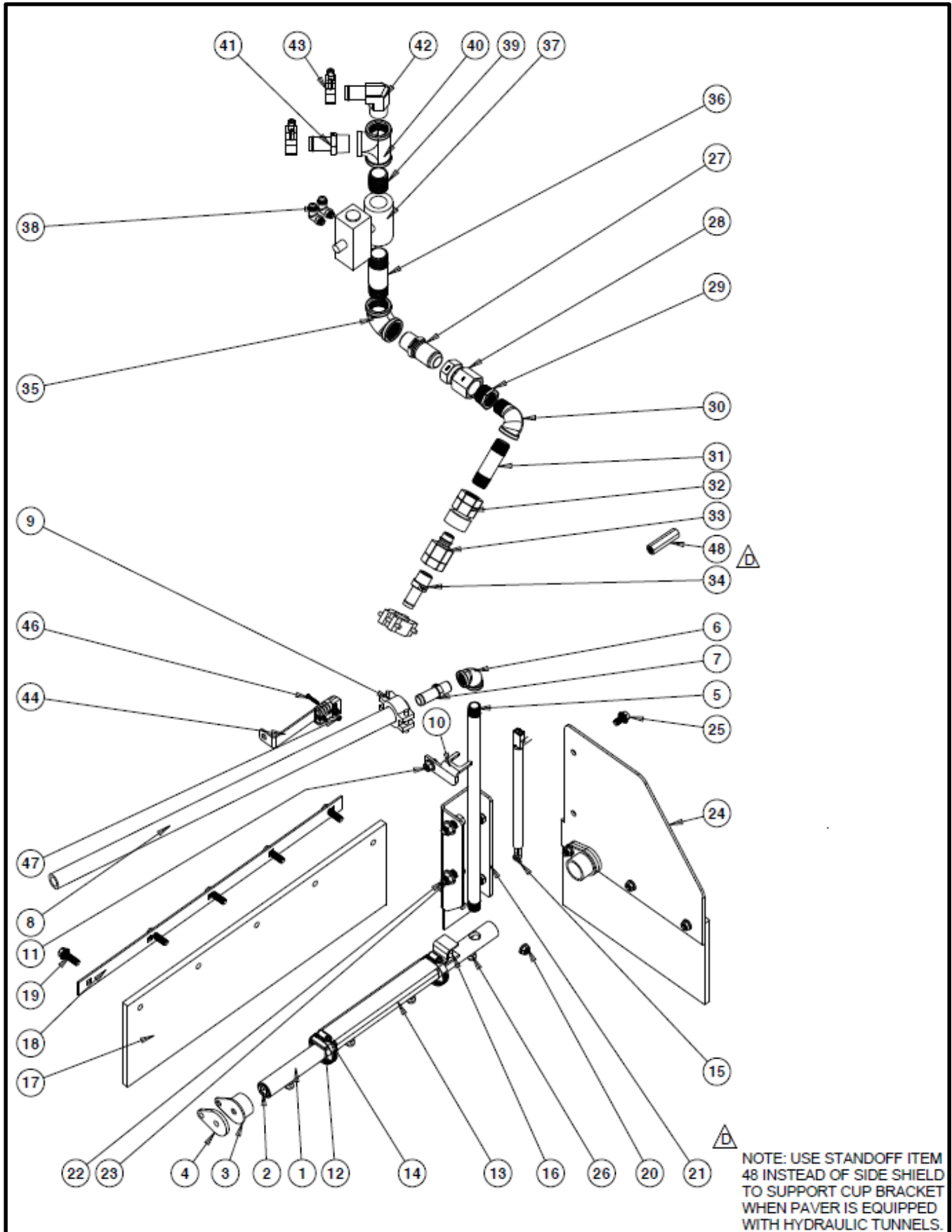
## Rear Spray Bar for Wheeled Paver, Right

ITEM	PART NO.	QTY.	DESCRIPTION
1	IDX23667*	1	PIPE, ALUM, R REAR SB, 6 IN
2	IDX23438*	2	PLUG, 3/4 NPT, ALUM
3	IDX23612*	1	WLDT, CUP BRACKET
4	IDX23617*	1	PIPE, SCH40 1/2MNPT X 14 IN
5	IDX23591*	1	ELBOW, 1/2" FNPT 90
6	IDX11193*	1	ELBOW, 1/2 NPT STREET
7	IDX23439*	1	BEAD HOSE BARB, 3/4", 1/2" NPT
8	IDX11040*	2 FT	HOSE, 3/4" ID
9	IDX21261*	2	CLAMP, DOUBLE BOLT, 3/4"
10	IDX23597*	1	SHEET, BKT, R
11	IDX23608*	1	HHFCS, 3/8-16 X 1/2"
12	IDX23300*	1	HEAT STRIP
13	IDX23405*	1	SHEET, HEATER CLAMP
14	IDX23399*	2	HOSE CLAMP, 2.25"
15	IDX20607*	1	CABLE ASSY, REAR SB
16	IDX23412*	2	TERMINAL COVER, CERAMIC
17	IDX23630	1	SKIRT, REAR SB
18	IDX23427	1	SHEET
19	IDX10186	3	HHCS FLG 3/8"-16 X 1 1/4 LG ZN
20	IDX23613	2	HHCS, FLG, 3/8-16 X 1.75
21	IDX10187	3	SERR FLG HEX NUT 3/8-16
22	IDX23599*	1	WLDT, SHIELD BKT, R
23	IDX23411*	2	HHFCS 1/2-13 X 1.25
24	IDX10191*	2	SERR FLG HEX NUT 1/2"-13
25	IDX23619*	1	ASSY, SHIELD, R
26	IDX11099*	2	FHHCS SERR 3/8-16 X 3/4"
27	IDX23452	4	SPRAY NOZZLE-VJ,1/4
28	IDX11175	1	ADAPTER, 16MP-16MJ BKHD
29	IDX11176	1	ADAPTER, 16FJX-16FP
30	IDX23320	1	BUSHING, 1" TO 3/4" NPT
31	IDX10473	1	3/4" PIPE ELBOW
32	IDX11225	1	PIPE NIPPLE, 3/4" NPT CLOSE
33	IDX10524*	1	QUICK COUPLING 3/4" NPT
34	IDX10164*	1	3/4 NPT QUICK COUPLER MALE
35	IDX23332*	1	BEADED HOSEBARB, 3/4
36	IDX11599	1	ELBOW, 1" PIPE
37	IDX23236	1	PIPE, 1" NPT X 4"
38	IDX23294	1	VALVE, BI-TORQ, 1" NPT
39	IDX10878	2	1/8 NPT X 1/4 OD, 90 DEG PUSH IN
40	IDX23311	1	PIPE, SCH40, 1 NPT, 1.5" L
41	IDX23312	1	PIPE TEE, SCH40, 1" NPT
42	IDX11177	1	HOSE BARB, 1" X 1" MP
43	IDX11178	1	HOSE BARB, 1" X 1" MP90
44	IDX11179	2	HOSE CLAMP, TBAR, 1.5"
46	IDX11000	2	SCREW, 6-32 X 1.00 L ZP
47	IDX20773	2	LOCK NUT, 6-32, NYLON INSERT
48	IDX20769	1	STANDOFF, 3/8-16 X 2.5", 5/8" HEX

**Spare parts kit IDX24321 includes parts marked with \***



## Rear Spay Bar for Tracked Paver, Left IDX23606

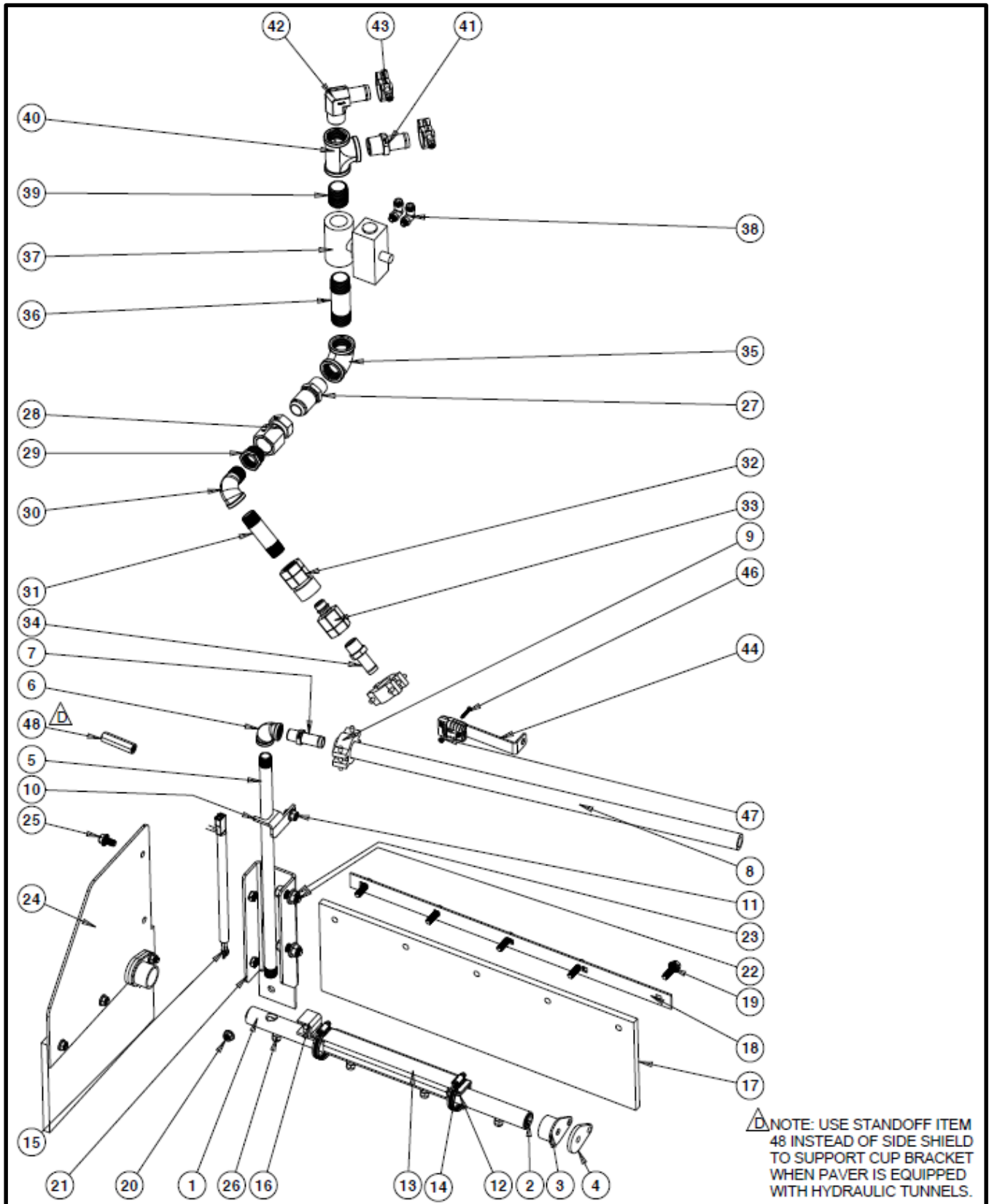


## Rear Spay Bar for Tracked Paver, Left

ITEM	PART NO.	QTY.	DESCRIPTION
1	IDX23666*	1	PIPE, ALUM, L REAR SB, 6 IN
2	IDX23438*	2	PLUG, 3/4 NPT, ALUM
3	IDX23593*	1	WLDT, MNT, REAR SB
4	IDX23603*	1	SHEET
5	IDX23595*	1	PIPE, SCH40 1/2 NPT X 20 IN
6	IDX23591*	1	ELBOW, 1/2" FNPT 90
7	IDX23439*	1	BEAD HOSE BARB, 3/4", 1/2" NPT
8	IDX11040*	3 FT	HOSE, 3/4" ID
9	IDX21261*	2	CLAMP, DOUBLE BOLT, 3/4"
10	IDX23596*	1	SHEET, BKT, L
11	IDX23608*	1	HHFCS, 3/8-16 X 1/2"
12	IDX23300*	1	HEAT STRIP
13	IDX23405*	1	SHEET, HEATER CLAMP
14	IDX23399*	2	HOSE CLAMP, 2.25"
15	IDX20607*	1	CABLE ASSY, REAR SB
16	IDX23412*	2	TERMINAL COVER, CERAMIC
17	IDX23432	1	SKIRT, REAR SB
18	IDX23427	1	SHEET
19	IDX10186	5	HHCS FLG 3/8"-16 X 1 1/4 LG ZN
20	IDX10187	1	SERR FLG HEX NUT 3/8-16
21	IDX23598*	1	WLDT, SHIELD BKT, L
22	IDX23411*	2	HHFCS 1/2-13 X 1.25
23	IDX10191*	2	SERR FLG HEX NUT 1/2"-13
24	IDX23604*	1	ASSY, SHIELD, L
25	IDX11099*	2	FHHCS SERR 3/8-16 X 3/4"
26	IDX23452	4	SPRAY NOZZLE-VJ,1/4
27	IDX11175	1	ADAPTER, 16MP-16MJ BKHD
28	IDX11176	1	ADAPTER, 16FJX-16FP
29	IDX23320	1	BUSHING, 1" TO 3/4" NPT
30	IDX10473	1	3/4" PIPE ELBOW
31	IDX10161*	1	3/4" PIPE NIPPLE X 3 1/2" LG
32	IDX10524*	1	QUICK COUPLING 3/4" NPT
33	IDX10164*	1	3/4 NPT QUICK COUPLER MALE
34	IDX23332*	1	BEADED HOSEBARB, 3/4
35	IDX11599	1	ELBOW, 1" PIPE
36	IDX23236	1	PIPE, 1" NPT X 4"
37	IDX23294	1	VALVE, BI-TORQ, 1" NPT
38	IDX10878	2	1/8 NPT X 1/4 OD, 90 DEG PUSH IN
39	IDX23311	1	PIPE, SCH40, 1 NPT, 1.5" L
40	IDX23312	1	PIPE TEE, SCH40, 1" NPT
41	IDX11177	1	HOSE BARB, 1" X 1" MP
42	IDX11178	1	HOSE BARB, 1" X 1" MP90
43	IDX11179	2	HOSE CLAMP, TBAR, 1.5"
44	IDX23609	1	SHEET, BKT
46	IDX11000	2	SCREW, 6-32 X 1.00 L ZP
47	IDX20773	2	LOCK NUT, 6-32, NYLON INSERT

**Spare parts kit IDX24314 includes parts marked with \***

## Rear Spay Bar for Tracked Paver, Right IDX23607

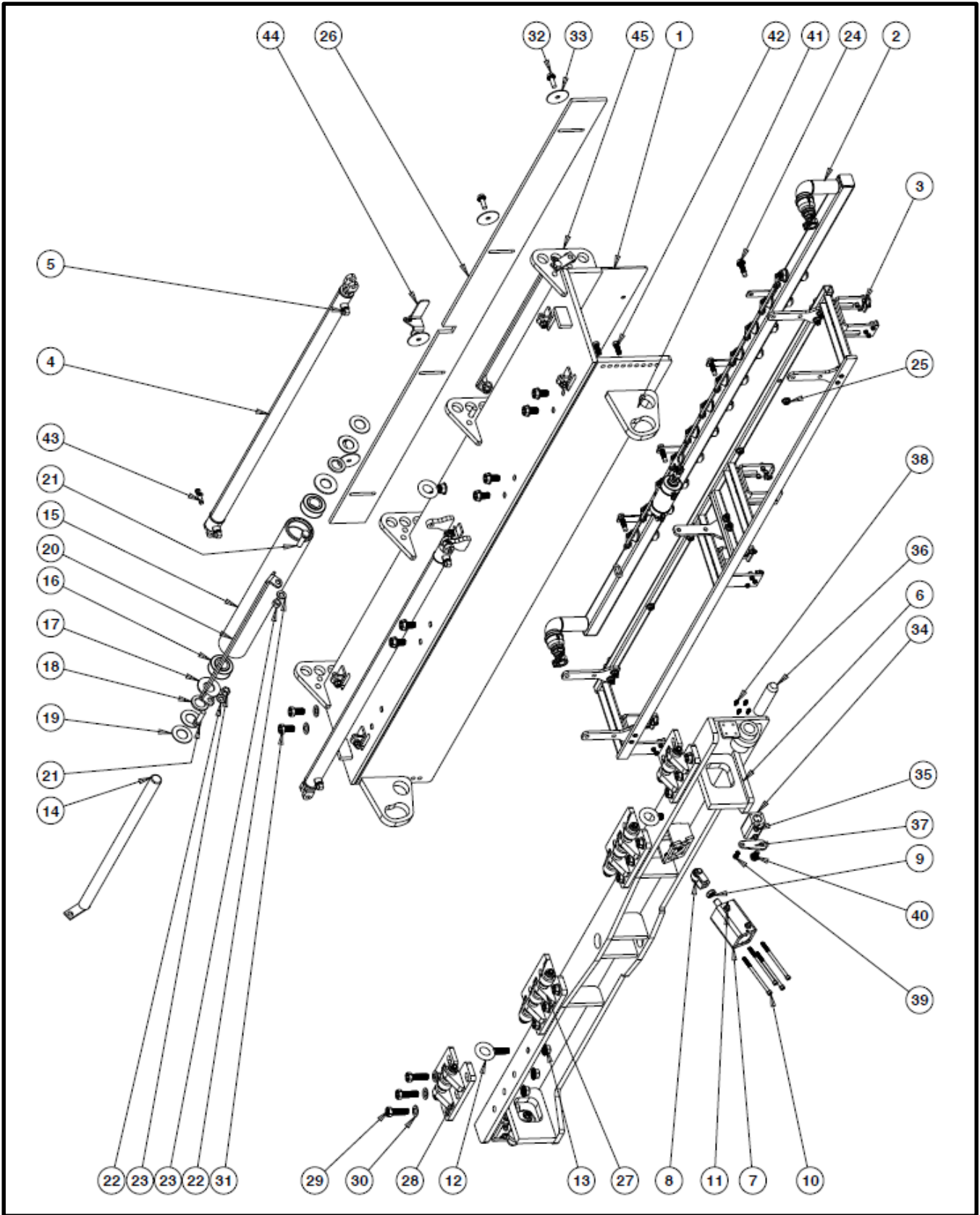


## Rear Spay Bar for Tracked Paver, Right

ITEM	PART NO.	QTY.	DESCRIPTION
1	IDX23667*	1	PIPE, ALUM, R REAR SB, 6 IN
2	IDX23438*	2	PLUG, 3/4 NPT, ALUM
3	IDX23593*	1	WLDT, MNT, REAR SB
4	IDX23603*	1	SHEET
5	IDX23595*	1	PIPE, SCH40 1/2 NPT X 20 IN
6	IDX23591*	1	ELBOW, 1/2" FNPT 90
7	IDX23439*	1	BEAD HOSE BARB, 3/4", 1/2" NPT
8	IDX11040*	3 FT	HOSE, 3/4" ID
9	IDX21261*	2	CLAMP, DOUBLE BOLT, 3/4"
10	IDX23597*	1	SHEET, BKT, R
11	IDX23608*	1	HHFCS, 3/8-16 X 1/2"
12	IDX23300*	1	HEAT STRIP
13	IDX23405*	1	SHEET, HEATER CLAMP
14	IDX23399*	2	HOSE CLAMP, 2.25"
15	IDX20607*	1	CABLE ASSY, REAR SB
16	IDX23412*	2	TERMINAL COVER, CERAMIC
17	IDX23432	1	SKIRT, REAR SB
18	IDX23427	1	SHEET
19	IDX10186	5	HHCS FLG 3/8"-16 X 1 1/4 LG ZN
20	IDX10187	1	SERR FLG HEX NUT 3/8-16
21	IDX23599*	1	WLDT, SHIELD BKT, R
22	IDX23411*	2	HHFCS 1/2-13 X 1.25
23	IDX10191*	2	SERR FLG HEX NUT 1/2"-13
24	IDX23605*	1	ASSY, SHIELD, R
25	IDX11099*	2	FHHCS SERR 3/8-16 X 3/4"
26	IDX23452	4	SPRAY NOZZLE-VJ,1/4
27	IDX11175	1	ADAPTER, 16MP-16MJ BKHD
28	IDX11176	1	ADAPTER, 16FJX-16FP
29	IDX23320	1	BUSHING, 1" TO 3/4" NPT
30	IDX10473	1	3/4" PIPE ELBOW
31	IDX10161*	1	3/4" PIPE NIPPLE X 3 1/2" LG
32	IDX10524*	1	QUICK COUPLING 3/4" NPT
33	IDX10164*	1	3/4 NPT QUICK COUPLER MALE
34	IDX23332*	1	BEADED HOSEBARB, 3/4
35	IDX11599	1	ELBOW, 1" PIPE
36	IDX23236	1	PIPE, 1" NPT X 4"
37	IDX23294	1	VALVE, BI-TORQ, 1" NPT
38	IDX10878	2	1/8 NPT X 1/4 OD, 90 DEG PUSH IN
39	IDX23311	1	PIPE, SCH40, 1 NPT, 1.5" L
40	IDX23312	1	PIPE TEE, SCH40, 1" NPT
41	IDX11177	1	HOSE BARB, 1" X 1" MP
42	IDX11178	1	HOSE BARB, 1" X 1" MP90
43	IDX11179	2	HOSE CLAMP, TBAR, 1.5"
44	IDX23609	1	SHEET, BKT
46	IDX11000	2	SCREW, 6-32 X 1.00 L ZP
47	IDX20773	2	LOCK NUT, 6-32, NYLON INSERT

**Spare parts kit IDX24315 includes parts marked with \***

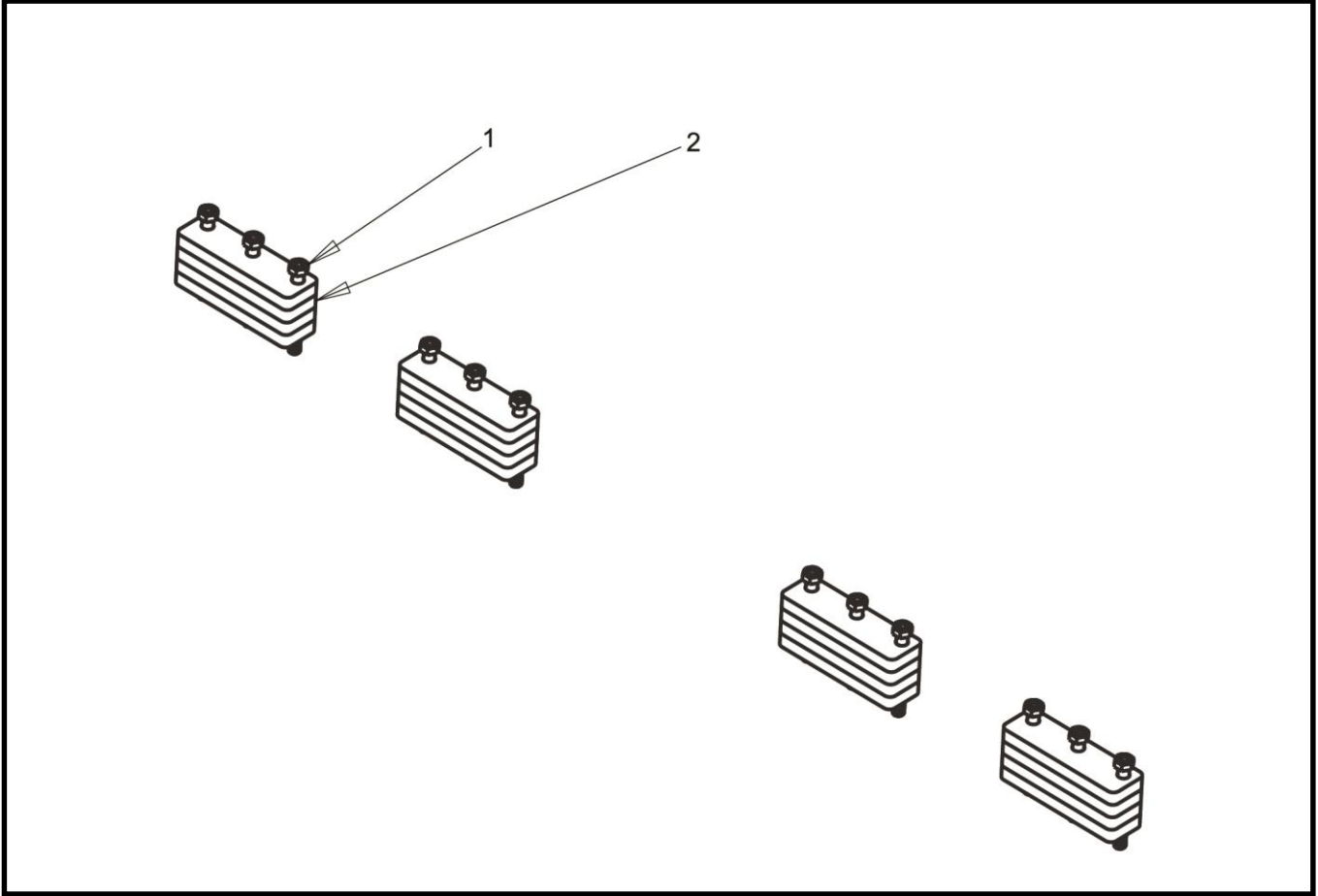
# Front Spray Bar Housing IDX23018



## Front Spray Bar Housing

Item	Part No.	Qty.	Description
1	IDX23019	1	WLDT, BUMPER SLIDE BAR
2	IDX23620	1	ASSY, FIXED SPRAY BAR
3	IDX23052	1	ASSY, SPRAYBAR FRAME
4	IDX10065	2	CYLINDER, SPRAY BAR
5	IDX10658	4	ADAPTER, 6MB-6MJ90
6	IDX23064	1	WLDT, SRAY BAR REAR
7	IDX23209	1	HYD CYLINDER, TILT
8	IDX10843	1	ASM, ROLLER
9	IDX23198	1	HEX NUT, THIN, 3/4-16
10	IDX23208	4	SHCS, 3/8-16 X 6
11	IDX10685	2	HYD FITTING, -4MB X -4SAE STR
12	IDX10681	3	EYEBOLT, 1 1/2" EYE X 3/4"
13	IDX23220	15	NUT, HEX, FLG, 3/4-10, GR8, ZP
14	IDX10433	2	SHAFT, ASSY
15	IDX10434	2	ROLLER
16	IDX10435	4	BEARING
17	IDX10436	4	WASHER, FLAT
18	IDX10437	4	WASHER,.5 ID X 2.38 OD X .25THK
19	IDX10438	8	PLATE, SHIM 1.5MM THK
20	IDX10439	2	PLATE, SCRAPER
21	IDX10440	4	BOLT M16X2 X 60MM LG
22	IDX10441	4	WASHER, 17MM ID X 3.4MM THK
23	IDX10442	4	NUT M16X2
24	IDX23126	4	HHFCS 1/2-13 X 2, SERR, ZP
25	IDX10191	9	SERR FLG HEX NUT 1/2"-13
26	IDX23139	1	RUBBER FLAP, FRONT
27	IDX23364	2	ASSY, TILT HINGE, 3 TAB
28	IDX23365	2	ASSY, TILT HINGE, 1 TAB
29	IDX23221	12	HHCS, 3/4-10 X 2.5, ZP, GR8
30	IDX10474	20	WASHER, FLAT 3/4" SCREW
31	IDX23366	8	HHCS, 3/4-10 X 1.5, GR8
32	IDX23082	9	HHFCS, 1/2-13 X 1.5, SERR, ZP
33	IDX23218	4	WASHER, 1/2 ID 3 OD
34	IDX23200	2	HYD CYLINDER, LATCH
35	IDX23204	4	HYD FITTING, -2MB X -4SAE STR
36	IDX23191	2	PIN, LATCH
37	IDX23193	2	BAR, LATCH LINK
38	IDX23202	8	HHFCS, 10-32 X 5/8, ZP
39	IDX23203	2	HHCS, 3/8-24 X 7/8, ZP
40	IDX23120	2	HHFCS 1/2-13 X 1
41	IDX23188	2	PLATE, LATCH STRIKE
42	IDX23197	4	HHCS, 1/2-13 X 1.5, GR 9
43	IDX10517	2	CLEVIS PIN, 1/2" DIA
44	IDX23497	1	SHEET, FORMED, HANDLE
45	IDX23070	4	PLATE, PUSH ROLLER BKT

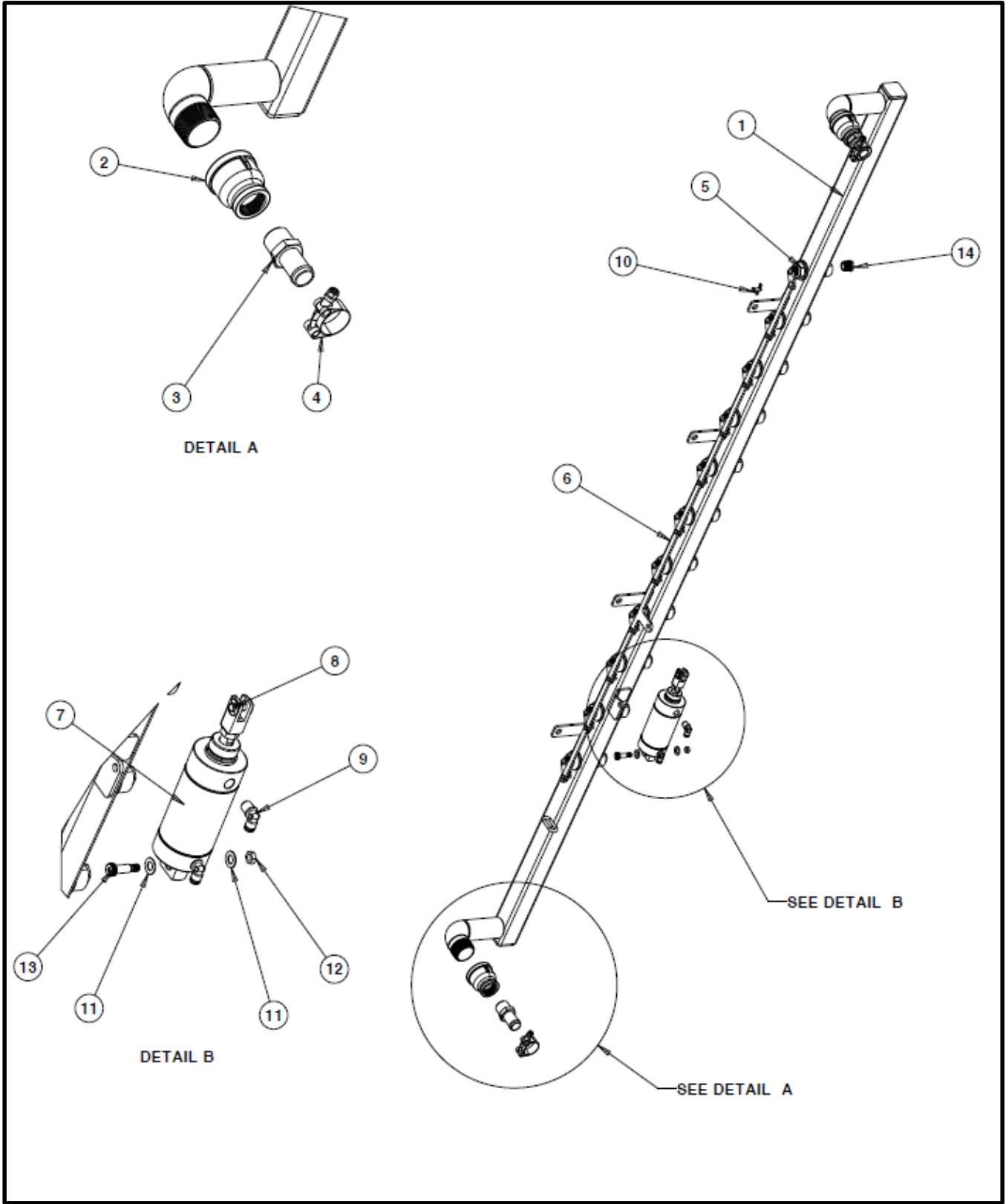
## Front Spray Bar Housing Spacers



Item	Part No.	Qty.	Description
1	IDX23225	12	HHCS-3/4-10 x 6.5 (when four spacers are used)
	IDX23224	12	HHCS-3/4-10 x 5.5 (when three spacers are used)
	IDX23223	12	HHCS-3/4-10 x 4.5 (when two spacers are used)
	IDX23222	12	HHCS-3/4-10 x 3.5 (when one spacer is used)
	IDX23221	12	HHCS-3/4-10 x 2.5 (when no spacers are used)
2	IDX23187	X4	Spacer

Note: Item 1 replaces the existing HHCS. The nuts used are the existing nuts.

# Center Spray Bar 6" Spacing IDX23620

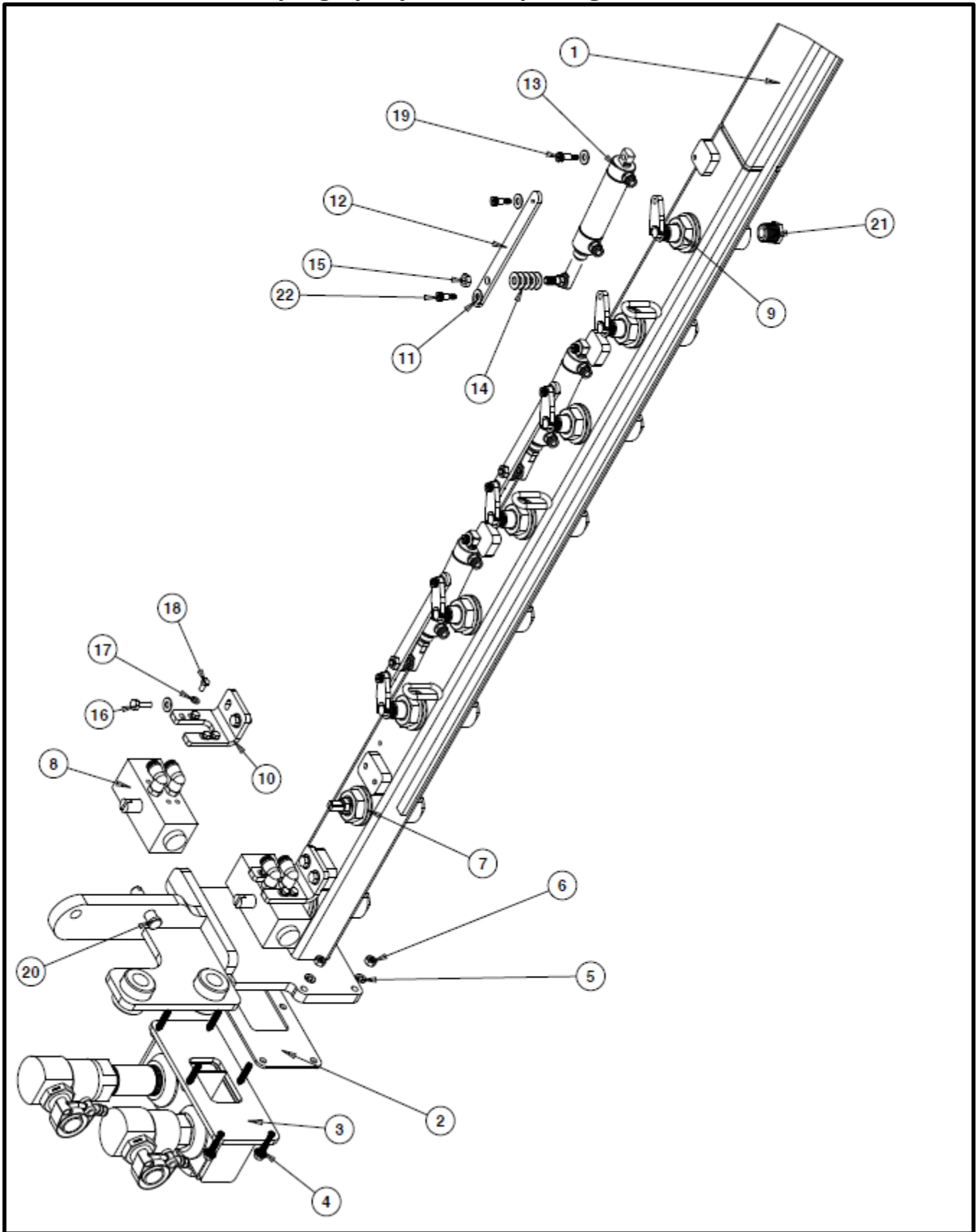




## Center Spray Bar 6" Spacing

Item	Part No.	Qty.	Description
1	IDX23621	1	WLDT, FIXED SPRAY BAR, 6" SPACING
2	IDX10509	2	COUPLING, 24FP-16FP
3	IDX11177	2	HOSE BARB, 1" X 1" MP
4	IDX11179	2	HOSE CLAMP, TBAR, 1.5"
5	IDX23081	11	ASSY, VALVE, SHORT, SPRAYBAR
6	IDX23627	1	SHEET
7	IDX23012	1	CYLINDER, PNEU
8	IDX23356	1	CLEVIS, ROD END
9	IDX23136	2	ELBOW, 1/4 NPT, 1/4 PUSH
10	IDX23137	11	CLEVIS PIN
11	IDX23177	2	WASHER, 3/8"
12	IDX23106	1	HEX NUT, THIN, 5/16-24
13	IDX23179	1	SHOULDER BOLT, 3/8" D
14	IDX23131	11	ADAPTER, 1/2 NPT TO 1/4 NPT

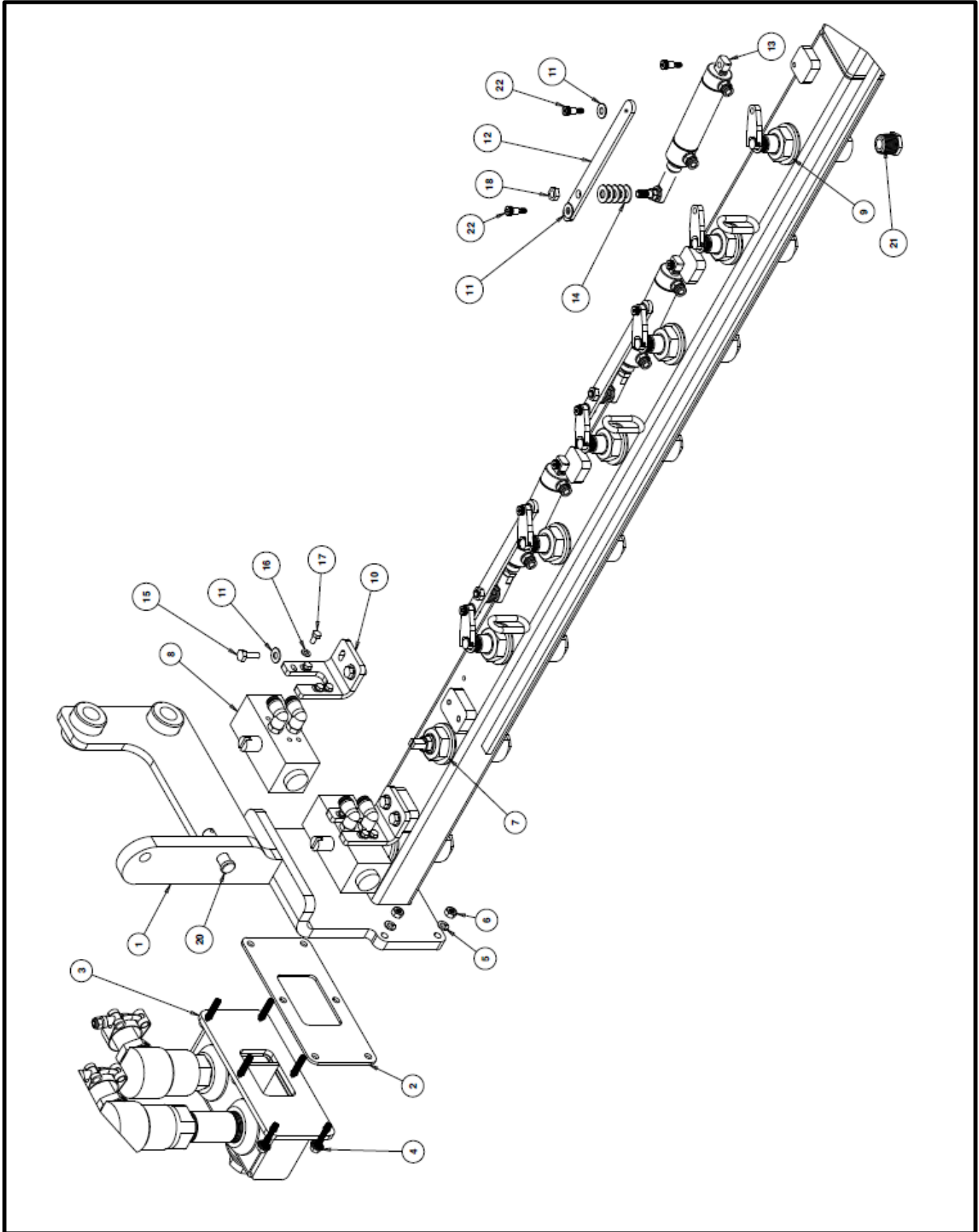
# Telescoping Spray Bar 6" Spacing, Left IDX23022



## Telescoping Spray Bar 6" Spacing, Left

Item	Part No.	Qty.	Description
1	IDX23623	1	WLDT, SLIDE BAR LH
2	IDX23045	1	GASKET, END CAP
3	IDX23237	1	ASSY, END CAP
4	IDX23044	6	HHFCS 1/4-20 X 1 1/4 LG, GR8
5	IDX23358	6	LOCK WASHER, 1/4
6	IDX23357	6	NUT, HEX, 1/4-20
7	IDX23075	2	ASSY, VALVE, OUTER, SPRAYBAR
8	IDX23116	2	ASSY, ROTARY ACTUATOR
9	IDX23079	6	ASSY, VALVE, LONG, SPRAYBAR
10	IDX23100	2	PLATE, FORMED
11	IDX23112	13	WASHER, 1/4
12	IDX23628	3	PLATE
13	IDX23107	3	ASSY, CYL, PNEU
14	IDX23108	15	FLAT WASHER, 5/16
15	IDX23106	3	HEX NUT, THIN, 5/16-24
16	IDX23103	4	HHCS, 1/4-20 X 3/4 LONG, ZP
17	IDX23114	8	WASHER, M5
18	IDX23115	8	HHCS, M5X0.8X10 MM L, ZP
19	IDX23498	3	SHLDR BOLT, 1/4D X 1/2L, 10-24
20	IDX10517	1	CLEVIS PIN, 1/2" DIA
21	IDX23131	8	ADAPTER, 1/2 NPT TO 1/4 NPT
22	IDX23084	6	SHOULDER BOLT, 1/4" D, 10-24

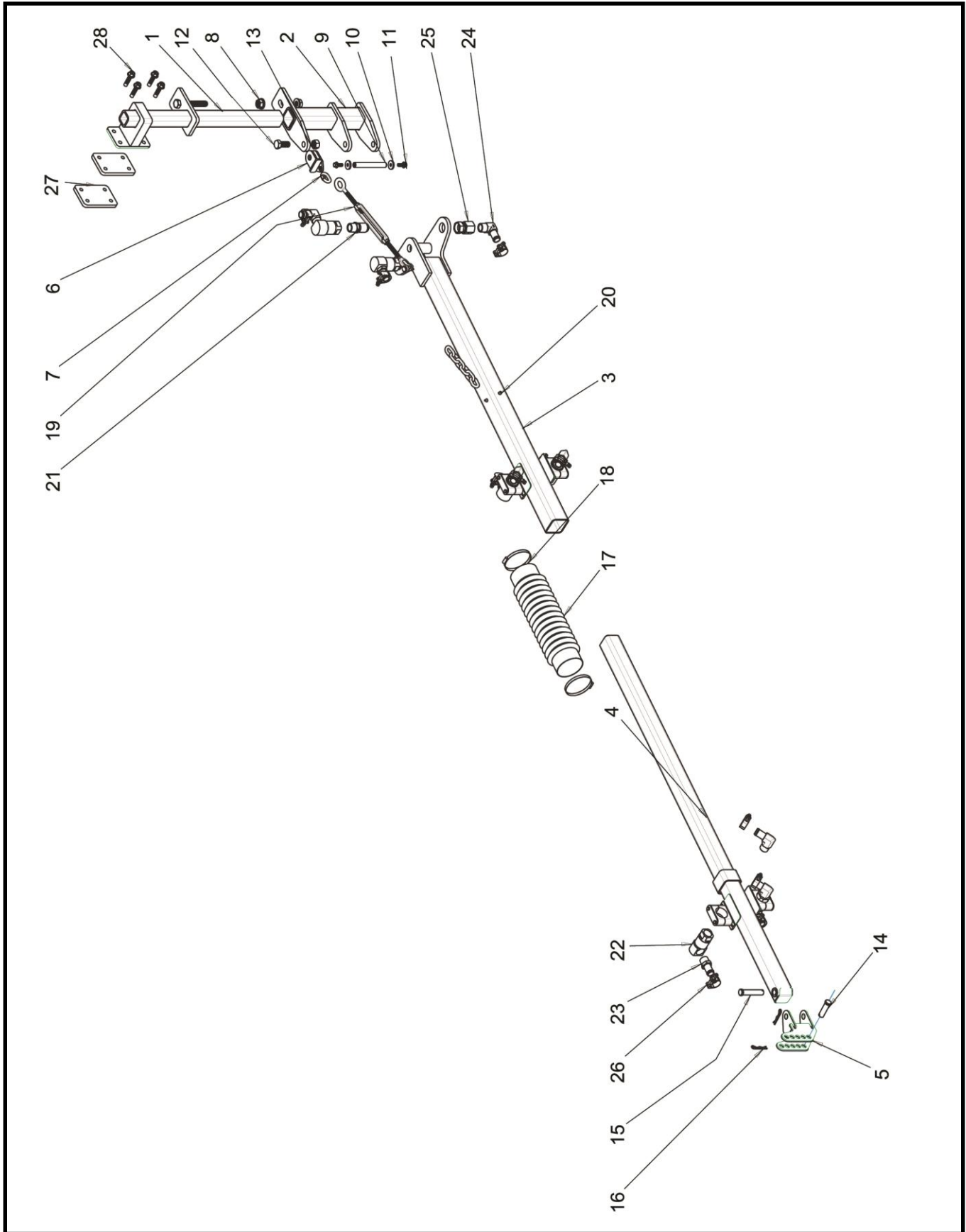
# Telescoping Spray Bar 6" Spacing, Right IDX23624



## Telescoping Spray Bar 6" Spacing, Right

Item	Part No.	Qty.	Description
1	IDX23625	1	Slide bar 6" spacing, RH
2	IDX23045	1	Gasket, end cap
3	IDX23043	1	End cap assembly
4	IDX23044	6	HHFCS 1/4-20 x 1 1/4 lg, GR 8
5	IDX23358	6	Lock washer, 1/4
6	IDX23357	6	Nut, hex, ¼-20
7	IDX23075	2	Valve, outer, spray bar assembly
8	IDX23116	2	Rotary actuator assembly
9	IDX23079	6	Valve, long, spray bar assembly
10	IDX23100	2	Plate, formed
11	IDX23112	13	Washer, ¼
12	IDX23628	3	Plate
13	IDX23107	3	Cylinder, pneumatic assembly
14	IDX23108	15	Flat washer, 5/16
15	IDX23103	4	HHCS, 1/4-20 X ¾ long, ZP
16	IDX23114	8	Washer, M5
17	IDX23115	8	HHCS, M5 x 0.8 x 10 MM L, ZP
18	IDX23106	3	Hex nut, thin, 5/16-24
19	IDX23498	3	Shoulder bolt, ¼" D x ½"L, 10-24
20	IDX10517	1	Clevis pin, ½" diameter
21	IDX23131	8	Adapter, ½ NPT to ¼ NPT
22	IDX23084	6	Shoulder bolt, 1/4" D, 10-24

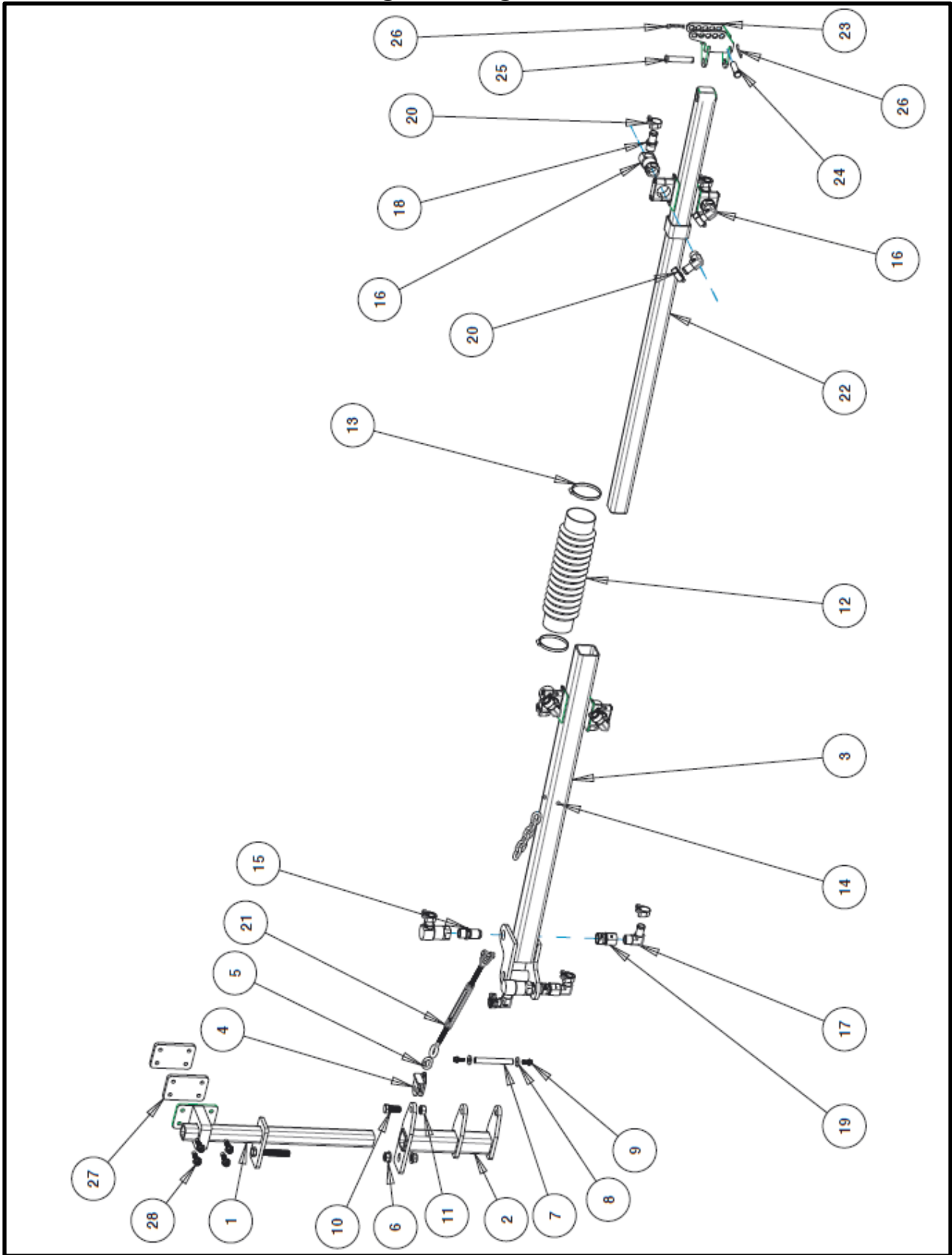
# Swing Arm, Left IDX23242



## Swing Arm, Left

Item	Part No.	Qty.	Description
1	IDX10372	1	Bar mount, LH
2	IDX10692	1	Tube pivot
3	IDX10716	1	Pivot arm inner, LH
4	IDX10980	1	Pivot arm outer, LH
5	IDX23250	1	L pivot, arm
6	IDX10712	1	Pivot turnbuckle
7	IDX10258	1	Chain link, threaded
8	IDX10709	2	Hex nut serrated flange lk 3/3-10
9	IDX10720	1	Pin, spray bar
10	IDX10684	2	Plate, pin
11	IDX10195	2	FHHCS serrated 3/8-16 x 1" long ZN
12	IDX10721	1	HHCS, 3/4-10 x 1 3/4 GR 8 ZP
13	IDX10718	1	Hex nut, 3/4-10 CTRLK ZP
14	IDX10989	1	Pin, 3/4 X 2 1/4" lg ZP
15	IDX10990	1	Pin, 3/4 X 3 1/2" lg ZP
16	IDX10991	2	Cotter pin, 1/8" x 2" ZP
17	IDX11067	1	Rubber bellows, 4 x 4 x 21 Nitrile
18	IDX11066	2	Hose clamp 4"smooth
19	IDX10711	1	Turnbuckle
20	IDX10674	3	Grease zerk, 1/8 x 9/16 H str
21	IDX11175	2	Adapter, 16MP-16MJ BKHD
22	IDX23238	6	Swivel, 1" FP X 1" FP 90
23	IDX11177	5	Hose barb, 1" X 1" MP
24	IDX11178	7	Hose barb, 1" X 1" MP90
25	IDX11176	2	Adapter, 16FJX-16FP
26	IDX11179	12	Hose clamp, T-bar, 1.5"
27	IDX23378	2	Plate, spacer
28	IDX11774	4	HHFCS 1/2-13 X 2 lg serrated ZP

# Swing Arm, Right IDX23243

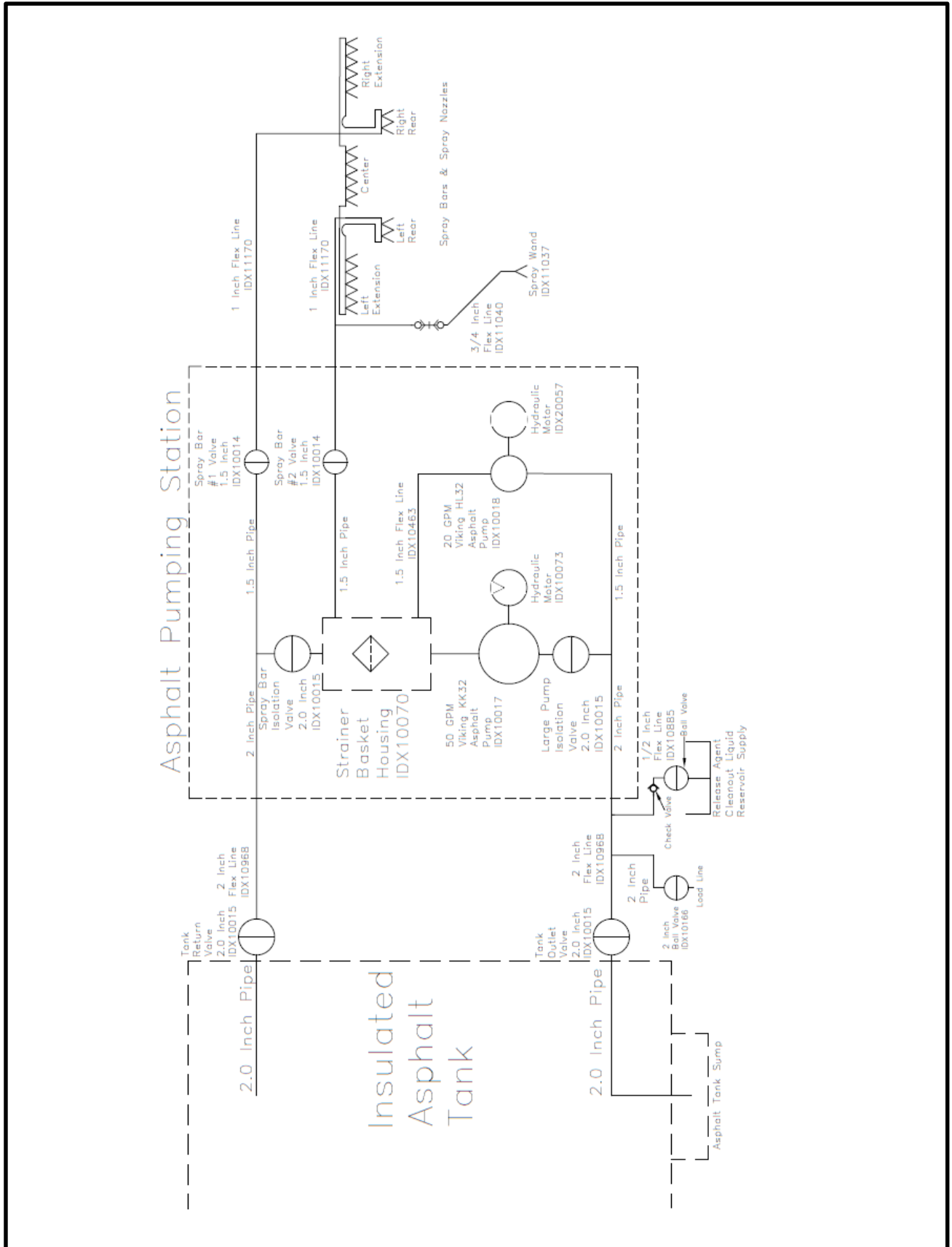




## Swing Arm, Right

Item	Part No.	Qty.	Description
1	IDX10734	1	Bar mount, RH
2	IDX10692	1	Tube pivot
3	IDX10697	1	Pivot arm inner, RH
4	IDX10712	1	Pivot turnbuckle
5	IDX10258	1	Chain link, threaded
6	IDX10709	2	Hex nut serrated flange lk 3/3-10
7	IDX10720	1	Pin, spray bar
8	IDX10684	2	Plate, pin
9	IDX10195	2	FHHCS serrated 3/8-16 x 1" long ZN
10	IDX10721	1	HHCS, 3/4-10 x 1 3/4 GR 8 ZP
11	IDX10718	1	Hex nut, 3/4-10 CTRLK ZP
12	IDX11067	1	Rubber bellows, 4 x 4 x 21 Nitrile
13	IDX11066	2	Hose clamp, 4"smooth
14	IDX10674	3	Grease zerk, 1/8 x 9/16 H str
15	IDX11175	2	Adapter, 16MP-16MJ BKHD
16	IDX23238	6	Swivel, 1" FP X 1" FP 90
17	IDX11178	7	Hose barb, 1" X 1" MP90
18	IDX11177	5	Hose barb, 1" X 1" MP
19	IDX11176	2	Adapter, 16FJX-16FP
20	IDX11179	12	Hose clamp, T-bar, 1.5"
21	IDX10711	1	Turnbuckle
22	IDX10706	1	Pivot arm outer, RH
23	IDX23251	1	Pivot arm, R
24	IDX10989	1	Pin, 3/4 X 2 1/4" lg ZP
25	IDX10990	1	Pin, 3/4 X 3 1/2" lg ZP
26	IDX10991	2	Cotter pin, 1/8" x 2" ZP
27	IDX23378	2	Plate, spacer
28	IDX11774	4	HHFCS 1/2-13 X 2 lg serrated ZP

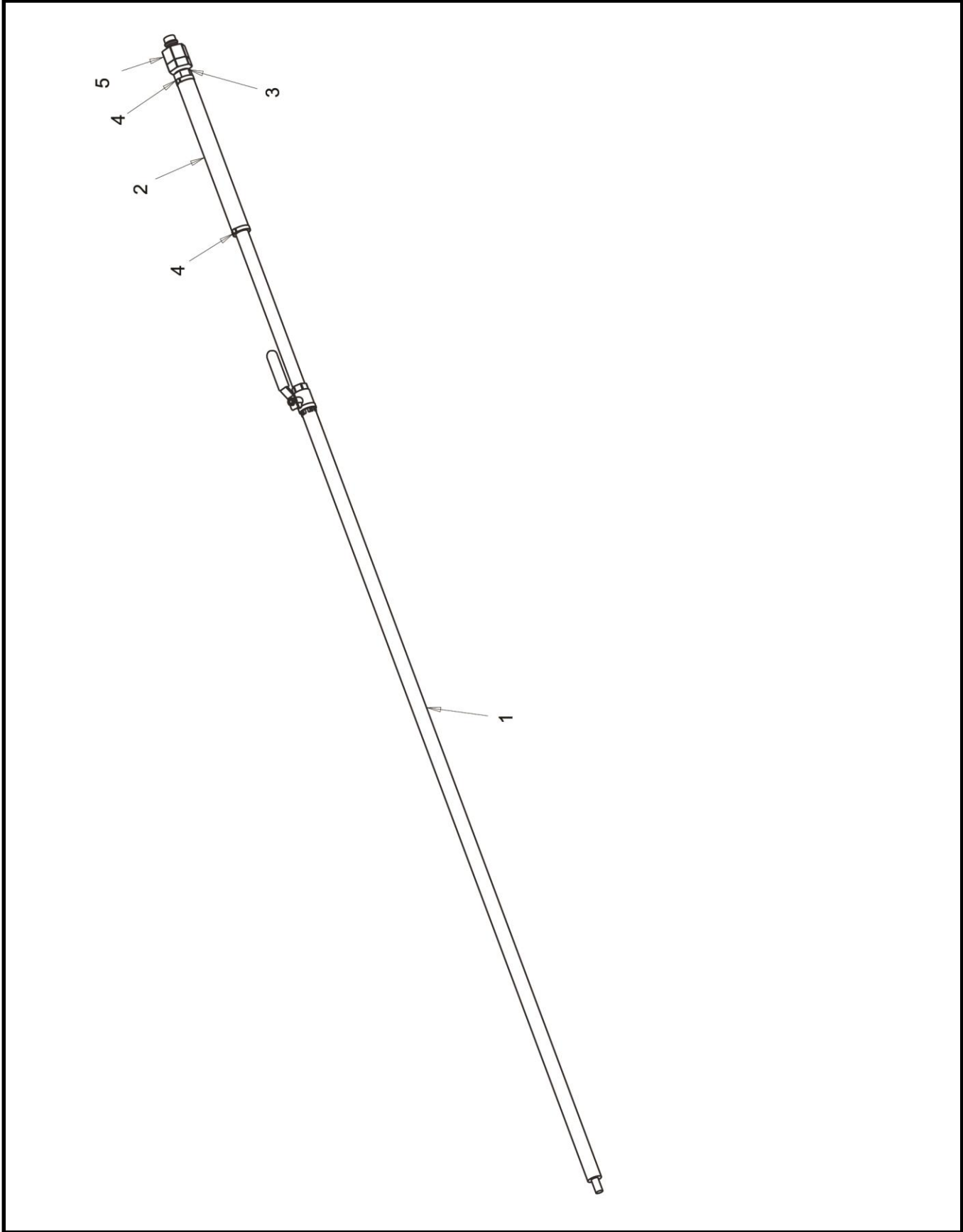
# Emulsion Hoses



## Emulsion Hoses

<b>Part No.</b>	<b>Description</b>
IDX11170	Hose, 1" suction, 16 GMV
IDX10968	Hose, 2" suction, 32 GMV
IDX10146	Pipe T, 2"
IDX10967	Elbow, 2" NPT x 2" NPTF blk
IDX21258	Hose barb, beaded 2" ID x 2" NPT
IDX10972	Hose clamp, T bolt 2 5/16-2 5/8
IDX10868	Tubing, 1/4" OD natural
IDX10866	Tubing, 1/4" OD blk
IDX20026	Tubing, 1/4" OD Pneumatic red
IDX20027	Tubing, 1/4" OD Pneumatic green
IDX20028	Tubing, 1/4" OD Pneumatic yellow
IDX20031	Tubing spiral wrap
IDX23416	Plug, 1/4" push in
IDX20253	Hose sleeve, nylon HG-32

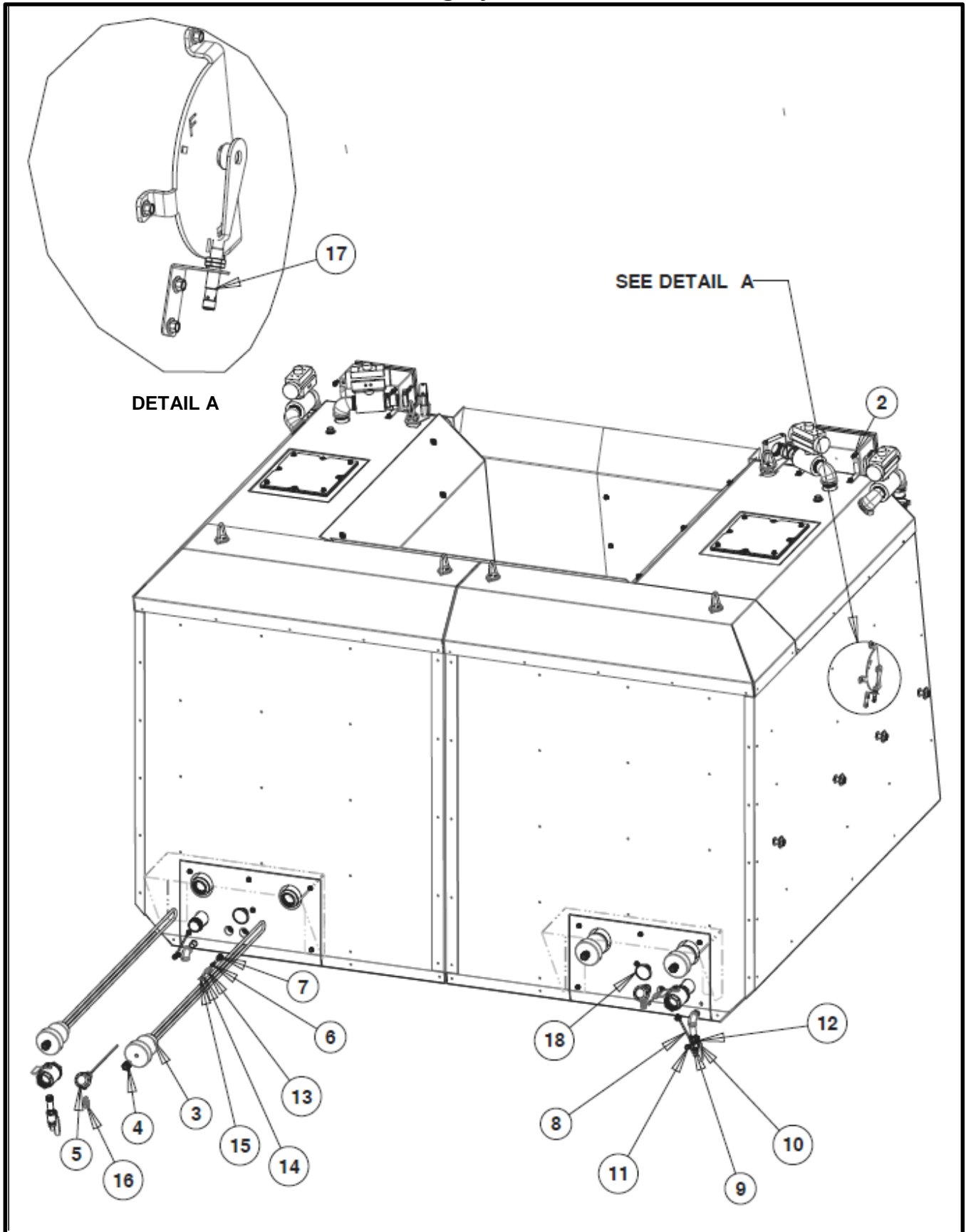
# Spray Wand ID11039



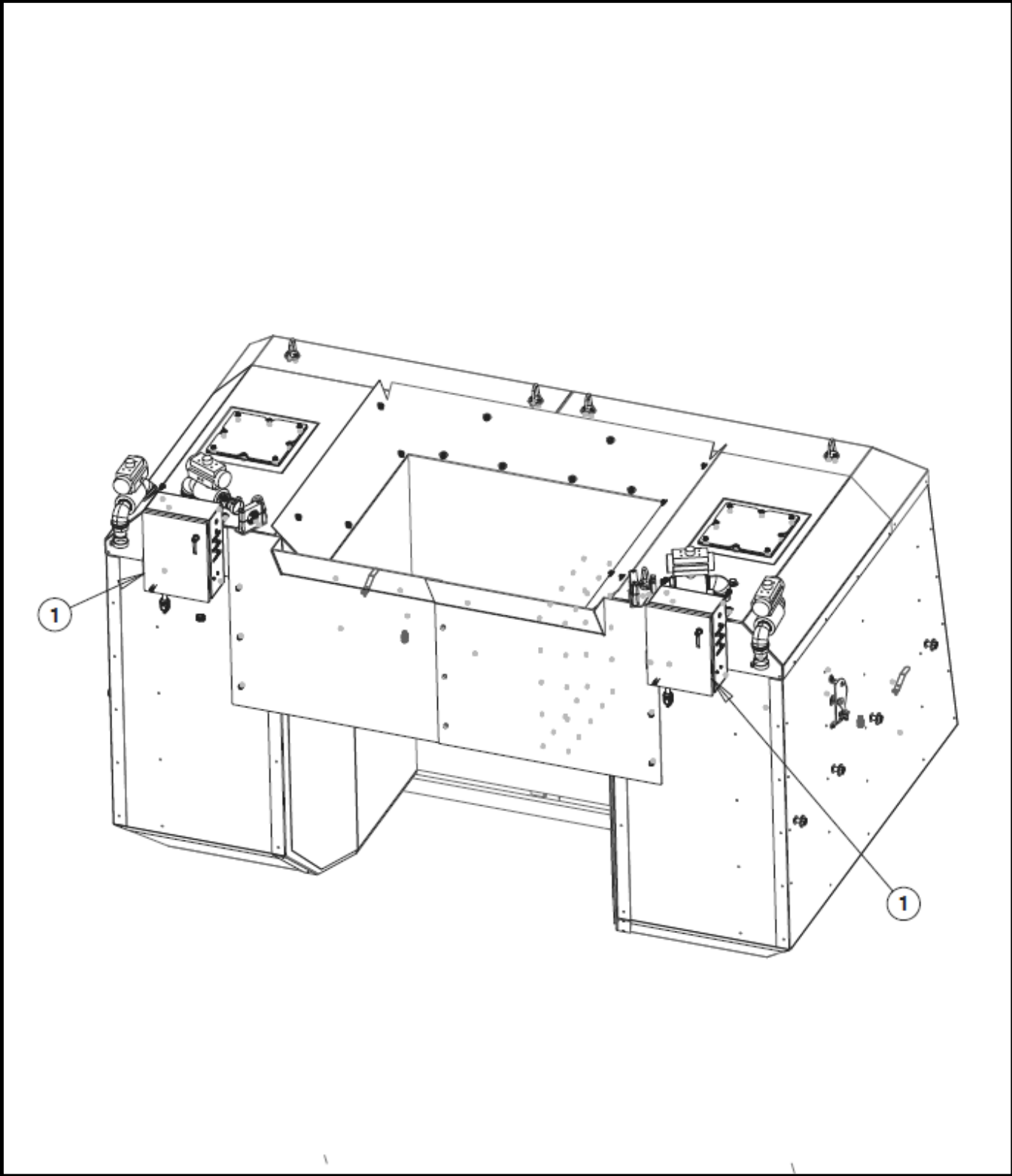
## Spray Wand

Item	Part No.	Qty.	Description
1	IDX11037	1	Emulsion spray wand
2	IDX11040	30 ft	Hose, -12 GMV
3	IDX23332	1	Hose barb, beaded NPT x 3/4" hose
4	IDX21260	2	Double bolt clamp
5	IDX10164	1	3/4 NPT quick coupler, male

# Tank Heating System IDX21001



# Tank Heating System

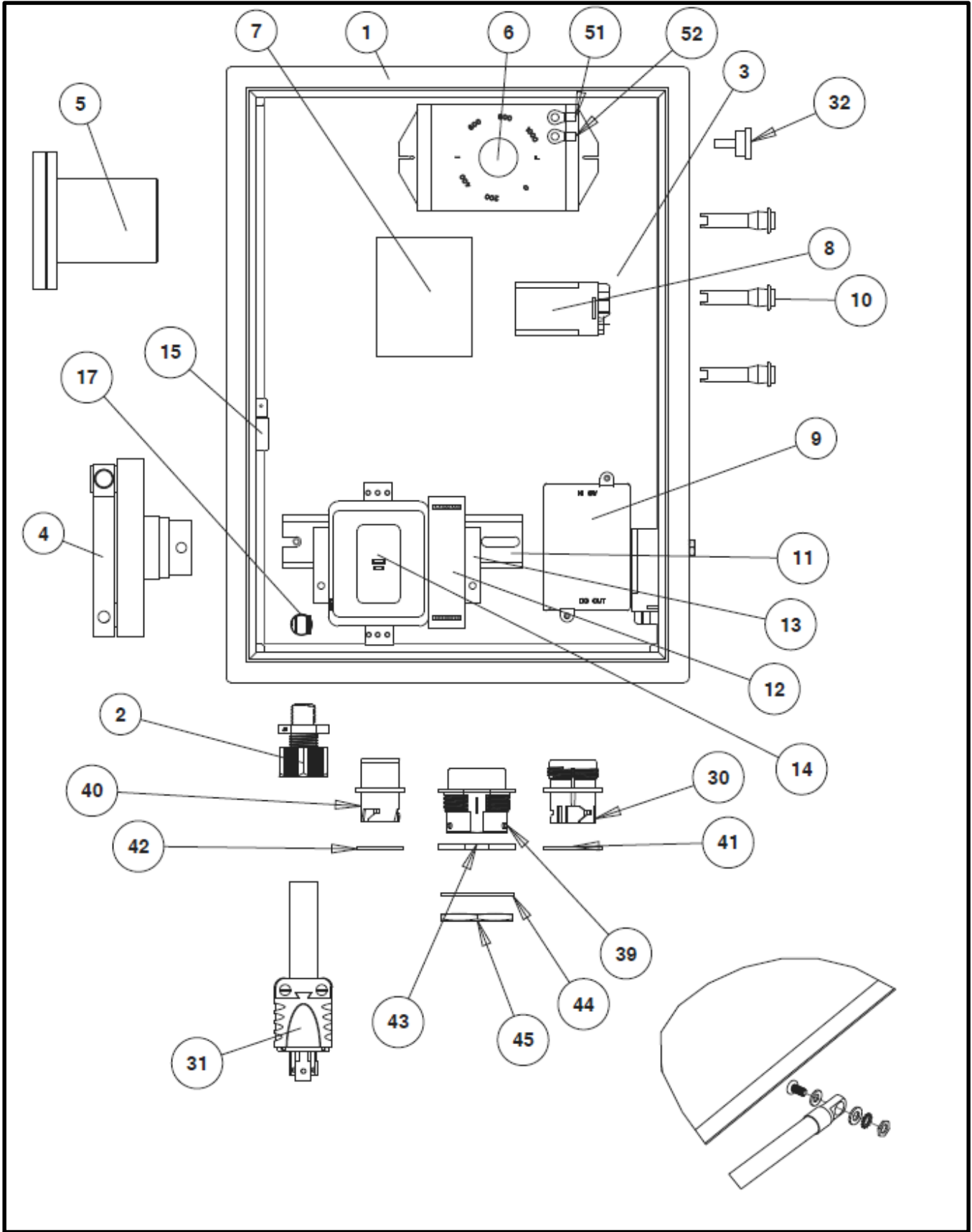


## Tank Heating System

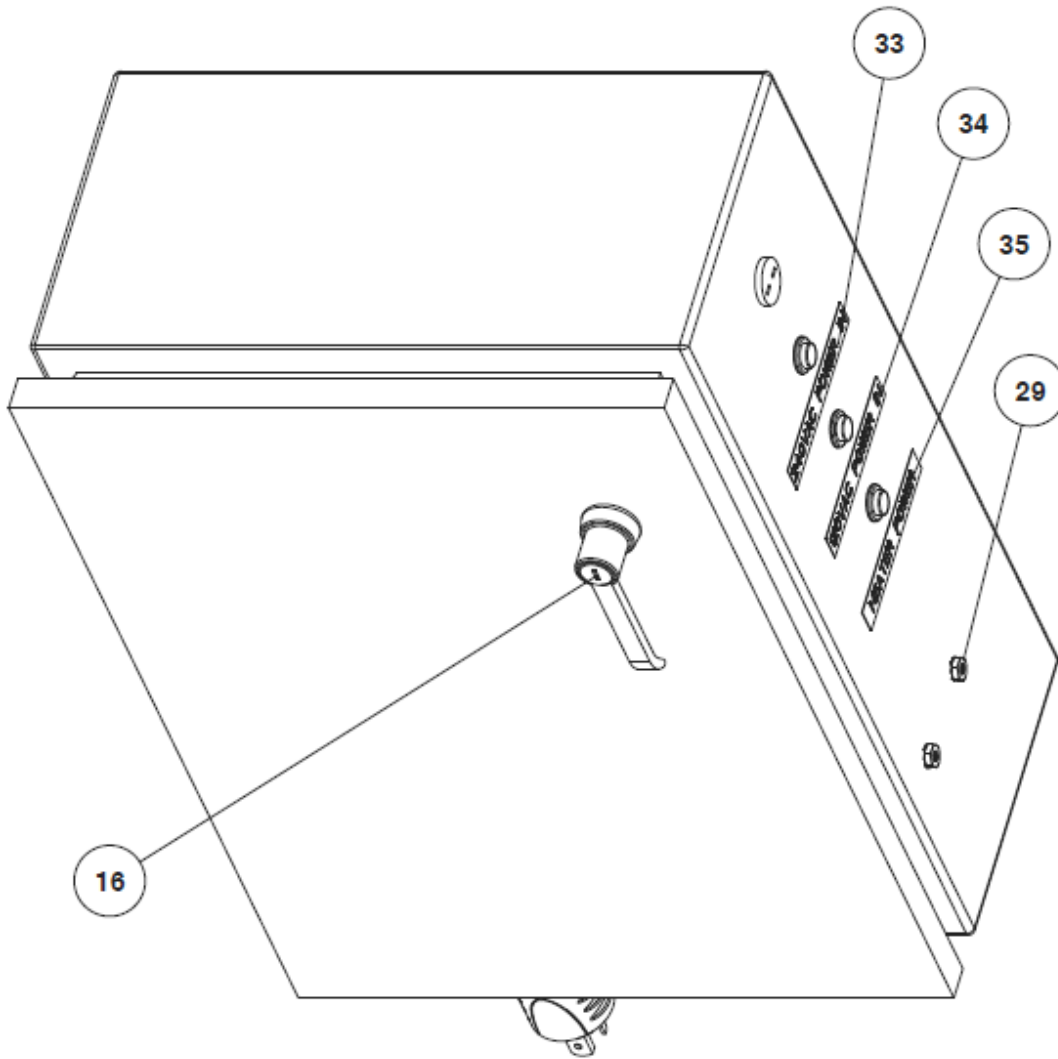
ITEM	PART NO.	QTY.	DESCRIPTION
1	IDX21004	2	ASSY HEATER ENCLOSURE
2	IDX10195	8	FHHCS SERR 3/8-16 X 1" LG ZN
3	IDX10767	4	HEATING ELEMENT, W/O TSTAT
4	IDX10803	4	CORD CONNECTOR, .63-.75 CORD
5	IDX21016	2	THERMOCOUPLE J-TYPE 12 IN
6	IDX21314	2	TEMPERATURE SWITCH, 200°
7	IDX23131	2	ADAPTER, 1/2 NPT TO 1/4 NPT
8	IDX20484	2	GROUNDING CABLE 6 AWG STRND
9	IDX20485	4	TERM RING, 6 AWG 3/8 NON-INSUL
10	IDX10814	4	STAR WASHER, INSIDE TEETH
11	IDX10186	2	HHCS FLG 3/8"-16 X 1 1/4 LG ZN
12	IDX10187	2	SERR FLG HEX NUT 3/8-16
13	IDX20627	2	CNCTR RECPT, 2 POS
14	IDX10235	4	CONTACT PIN, SIZE 16
15	IDX20643	2	WEDGELOCK, W2P
16	IDX21015	2	CORD GRIP 1/2 IN NPT
17	IDX21030	2	PROX SWITCH INDUCT M12
18	IDX10620	2	THERMOMETER, PROBE, 6"
19	IDX20482	3	EXTENSION CORD, 25FT 12/3
20	IDX20601	2	HARNESS, TANK HEAT
21	IDX11046	14	P-CLAMP, 1"
22	IDX20603	1	HARNESS, REAR SB HEAT
23	IDX10250	1	CAP, W/LANYARD



# Tank Heating System Enclosure IDX21004



# Tank Heating System Enclosure



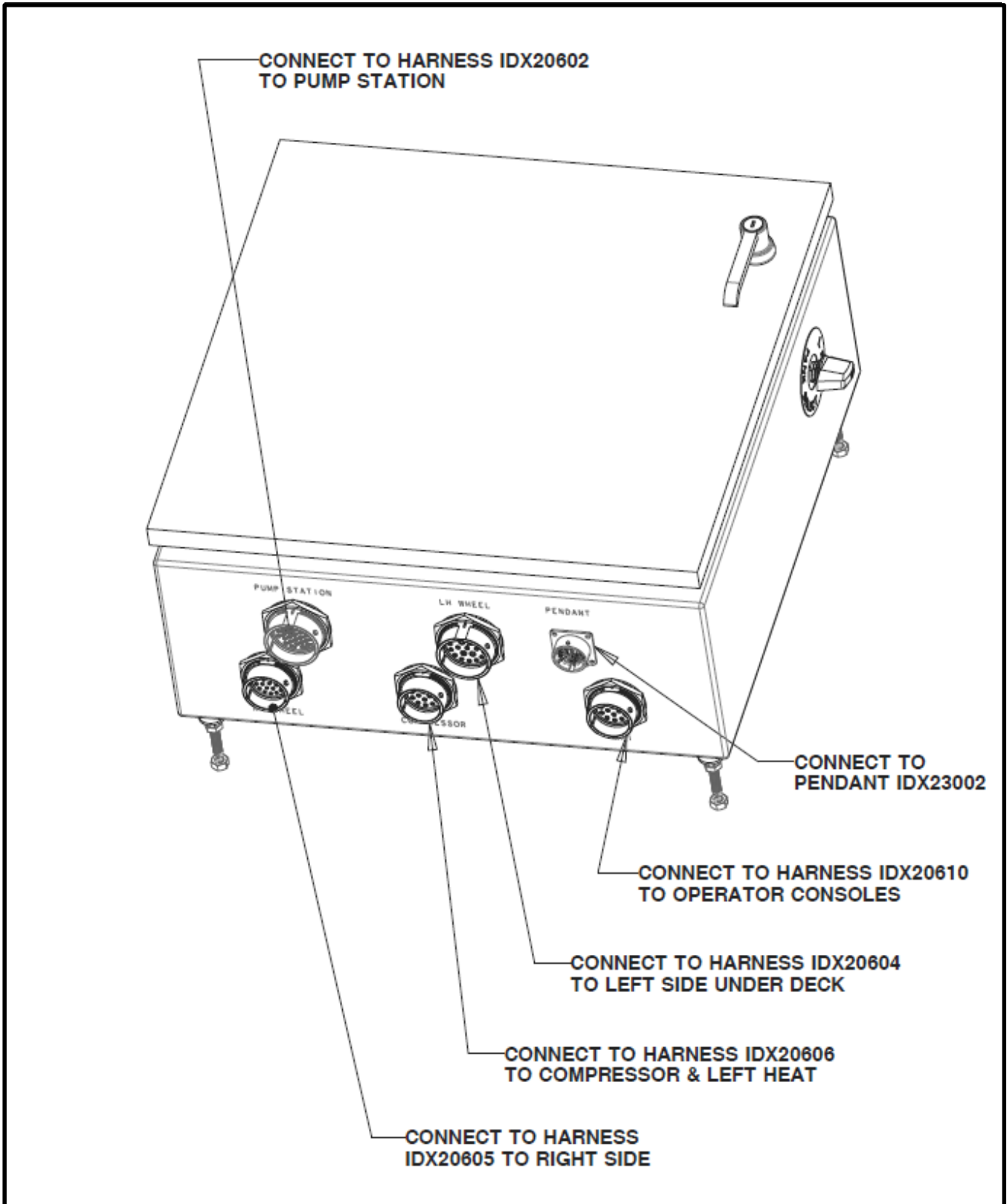
## Tank Heating System Enclosure

ITEM	PART NO.	QTY.	DESCRIPTION
1	IDX21035	1	ENCLOSURE MODIFIED
2	IDX10803	1	CORD CONNECTOR, .63-.75 CORD
3	IDX21036	1	BACK PANEL 14.2X10.2
4	IDX10808	1	POWER INLET 15A 125 VOLT
5	IDX21257	1	INLET, 50A 240VAC
6	IDX21017	1	THERMOSTAT EMULSION TANK
7	IDX21020	1	RELAY POWER DPDT 120 VAC CTRL 40A
8	IDX21021	2	RELAY POWER DPST-NO 24VDC 40A
9	IDX21026	1	AC/DC CNVRTR 24VDC OUT 25W
10	IDX21038	3	LED, GREEN
11	IDX21033	1	DIN RAIL 37MMX1M
12	IDX21027	1	DIODE INTERFACE MOD 4 DIN
13	IDX21034	2	END PLATE DIN RAIL
14	IDX21028	1	GFI CB 120 VAC 20A DIN
15	IDX21022	1	RELAY DPDT 24V 30A
16	IDX21037	1	HANDLE LOCKING 1/4 TURN
17	IDX10786	1	GROUND KIT
18	IDX20661	50 FT	WIRE, 18 AWG GXL, BLK
19	IDX20662	50 FT	WIRE, 18 AWG GXL, RED
20	IDX20663	50 FT	WIRE, 18 AWG GXL, BLU
21	IDX20664	50 FT	WIRE, 18 AWG GXL, BRN
22	IDX21048	4	HEX NUT #8-32
23	IDX21047	4	PHMS #8-32, 1/2 IN
24	IDX20277	2	WASHER, #8 TOOTH LOCK
25	IDX22041	4	HEX NUT #4-40
26	IDX22040	4	PHMS #4-40, 1/2 IN
27	IDX21043	6	PHMS #10-24, 1/2 IN
28	IDX20078	10	WASHER, #10 TOOTH LOCK
29	IDX20012	10	HEX NUT, #10-24
30	IDX10249	1	CNCTR RCPT, 6 POS BLKHD
31	IDX21237	1	CONNECTOR PLUG 110VAC 15A
32	IDX20629	1	CNCTR RCPT, THERMOCOUPLE BLKHD
33	IDX21280	1	DECAL, 240VAC PWR IN
34	IDX21281	1	DECAL, 120VAC PWR IN
35	IDX21282	1	DECAL, HEATER POWER
36	IDX20665	50 FT	WIRE, 12 AWG GXL, BLK
37	IDX20667	50 FT	WIRE, 12 AWG GXL, WHT
38	IDX20668	50 FT	WIRE, 12 AWG GXL, GRN
39	IDX20619	1	CNCTR RCPT, 19 POS
40	IDX20623	1	CNCTR RCPT, 5 POS BLKHD
41	IDX20641	1	GASKET, FOR 6 POS BLKHD
42	IDX20640	1	GASKET, FOR 5 POS BLKHD
43	IDX20639	1	GASKET FOR HD SIZE 24 BLKHD
44	IDX20638	1	LK WSHR FOR FOR HD SIZE 24 BLKHD

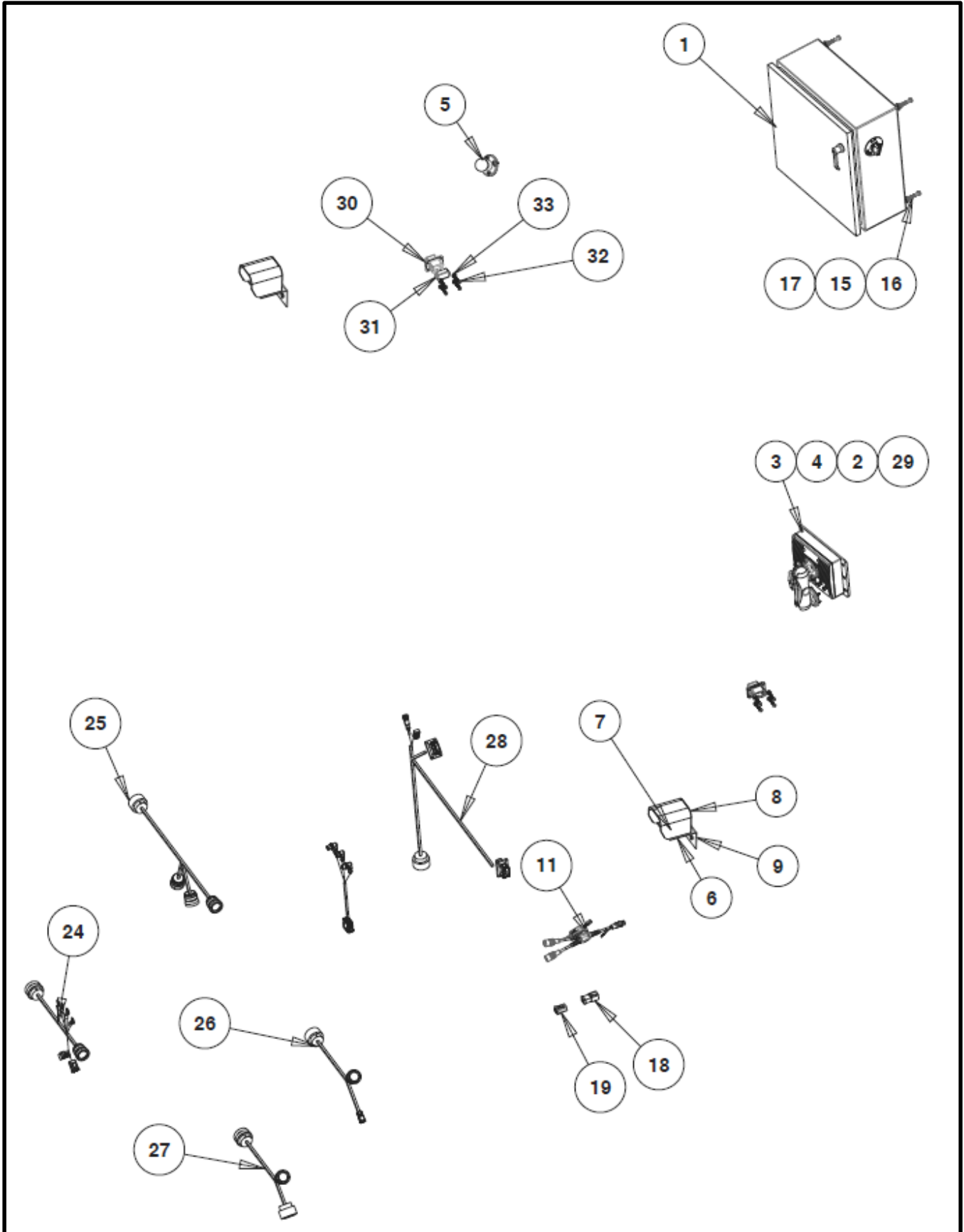
45	IDX20637	1	JAM NUT FOR HD SIZE 24 BLKHD
46	IDX10266	11	SEAL PLUG, SIZE 12 & 16
47	IDX10236	5	CONTACT SOCKET, 16
48	IDX10235	4	CONTACT PIN, SIZE 16
49	IDX10254	4	CONTACT PIN, SIZE 12
50	IDX20671	1 FT	WIRE, THERMOCOUPLE, 12-2
51	IDX20669	1	SPADE, THERMOCOUPLE, IRON
52	IDX20670	1	SPADE, THERMOCOUPLE, CONSTANTAN
	IDX21013	1	240V POWER CORD ( <i>NOT SHOWN</i> )



# Controls System IDX23001



# Controls System

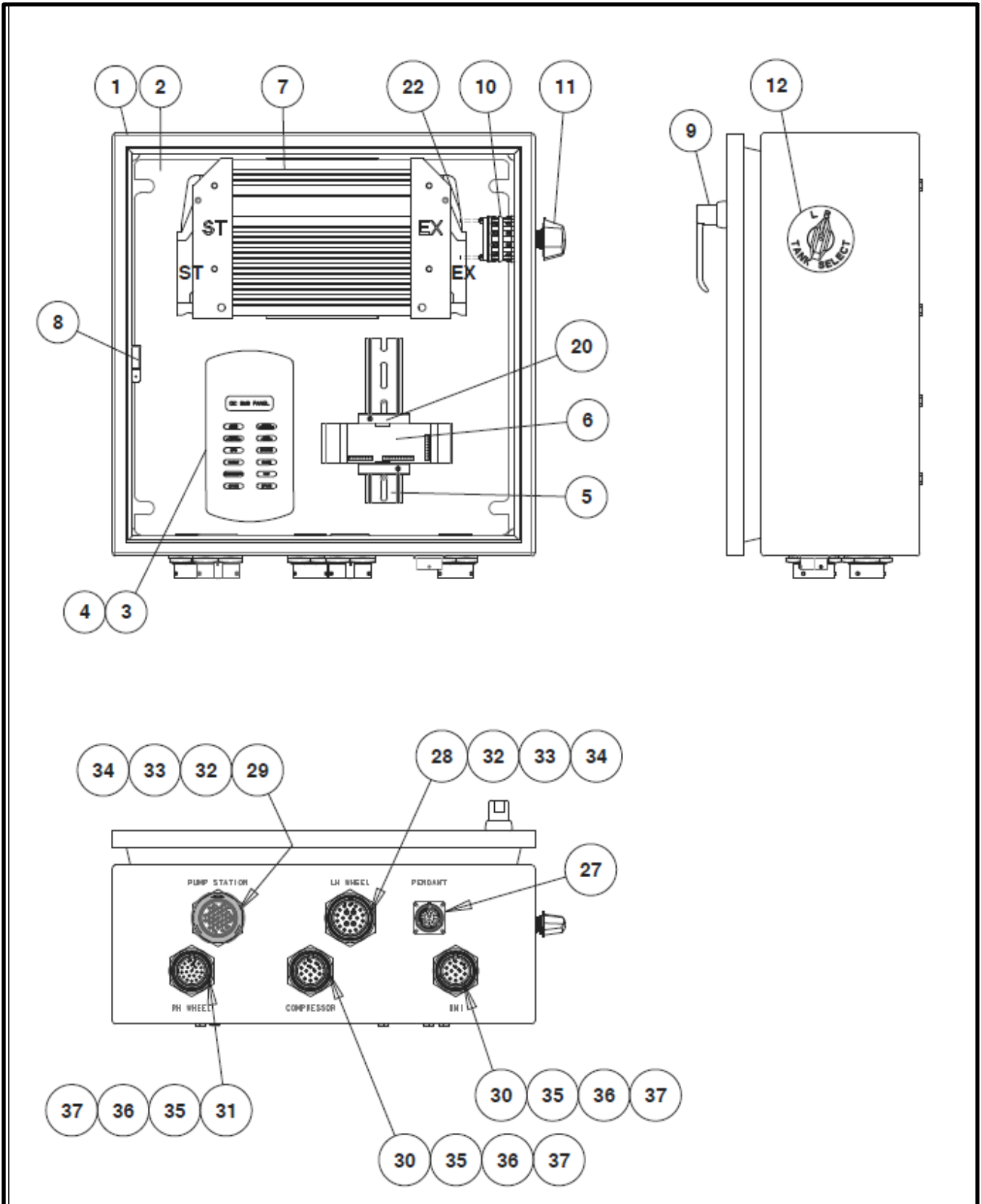


## Controls System

ITEM	PART NO.	QTY.	DESCRIPTION
1	IDX23003	1	ELECTRICAL CONTROLS ASSY
2	IDX10819	1	RAM MOUNT KIT
3	IDX20268	1	HMI DISPLAY, PROGRAMMED
4	IDX11126	4	BOLT, M5-0.8 X 10 MM
5	IDX20219	1	BALL MOUNT, 1.5" BOLT-ON
6	IDX20276	2	CAMERA MOUNT
7	IDX10828	2	CAMERA WITH MOUNT
8	IDX10829	2	CAMERA METAL COVER
9	IDX10192	4	FHHCS 1/4-20 1/2" LG
10	IDX10859	2	PATCH CABLE, CAMERA, 11 M
11	IDX20483	1	ASSY, Y-ADAPTER
12	IDX23002	1	ASSY PENDANT CONTROLS
13	IDX23325	6	CLAMP CABLE .44 IN STL
14	IDX23391	8	10-16 PH DRILL PT 3/4 LG
15	IDX10196	4	WASHER, FLAT 1/4" ZN
16	IDX20192	4	HHCS, 1/4-20, 1" LONG
17	IDX20209	4	HEX NUT, 1/4-20, TOP LOCK
18	IDX20625	1	CNCTR RCPT, 4 POS
19	IDX20626	1	CNCTR PLG, 4 POS
20	IDX10235	4	CONTACT PIN, SIZE 16
21	IDX10236	4	CONTACT SOCKET, 16
22	IDX20644	1	WEDGELOCK, W4P
23	IDX20645	1	WEDGELOCK, W4S
24	IDX20604	1	HARNESS, LEFT SIDE
25	IDX20605	1	HARNESS, RIGHT SIDE
26	IDX20606	1	HARNESS, COMPRESSOR
27	IDX20602	1	HARNESS, PUMP STATION
28	IDX20610	1	HARNESS, HMI & CAMERAS
29	IDX20609	1	HARNESS, HMI DISPLAY
30	IDX20647	2	GASKET, FOR 12 POS BLKHD
31	IDX20653	1	CAP, FOR 12 POS DEUTSCH
32	IDX22052	8	8-32 PAN HD MACHINE SCREW
33	IDX20098	8	HEX NUT, 8-32, FLG, NYLOCK



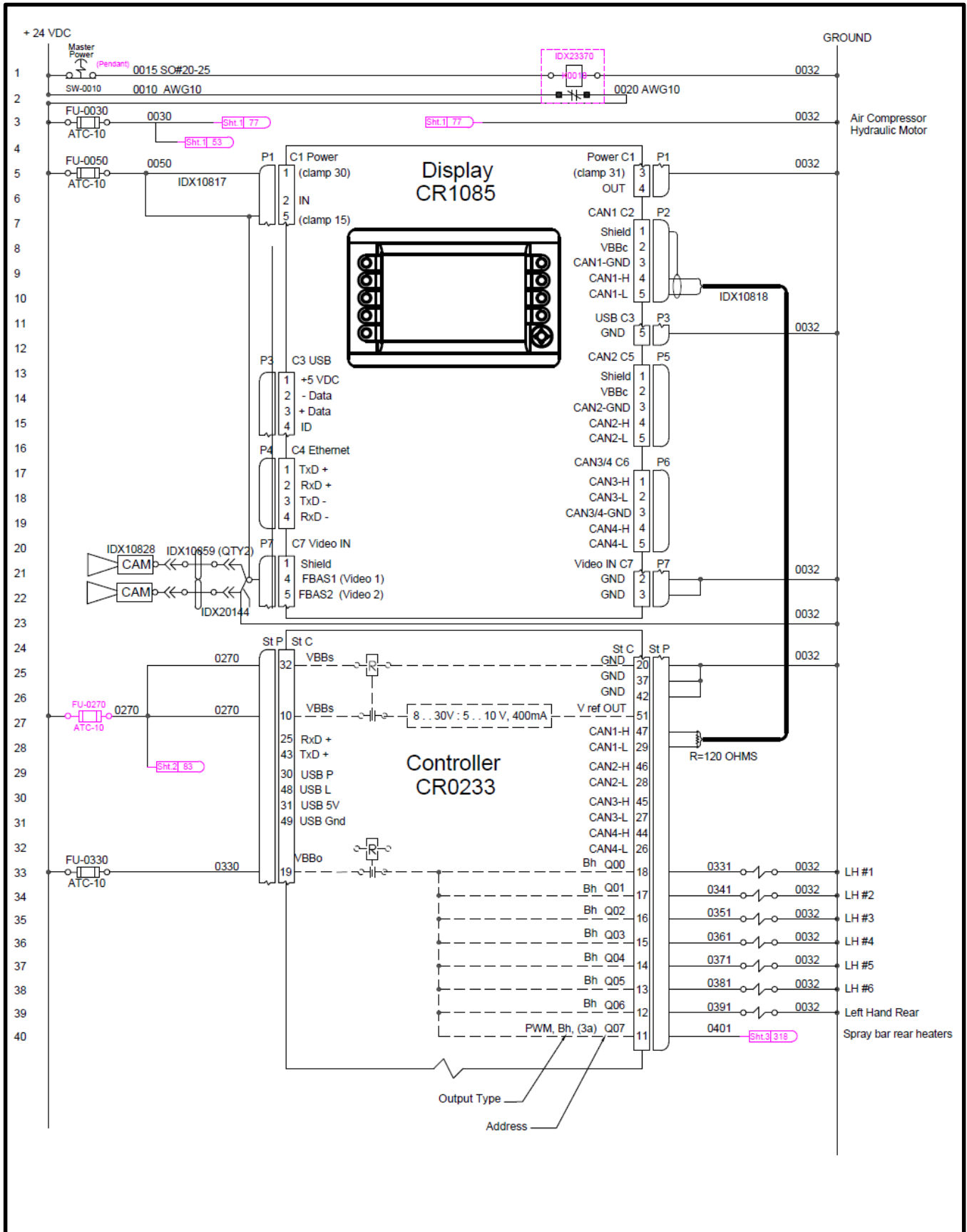
# Main Control Box IDX23003



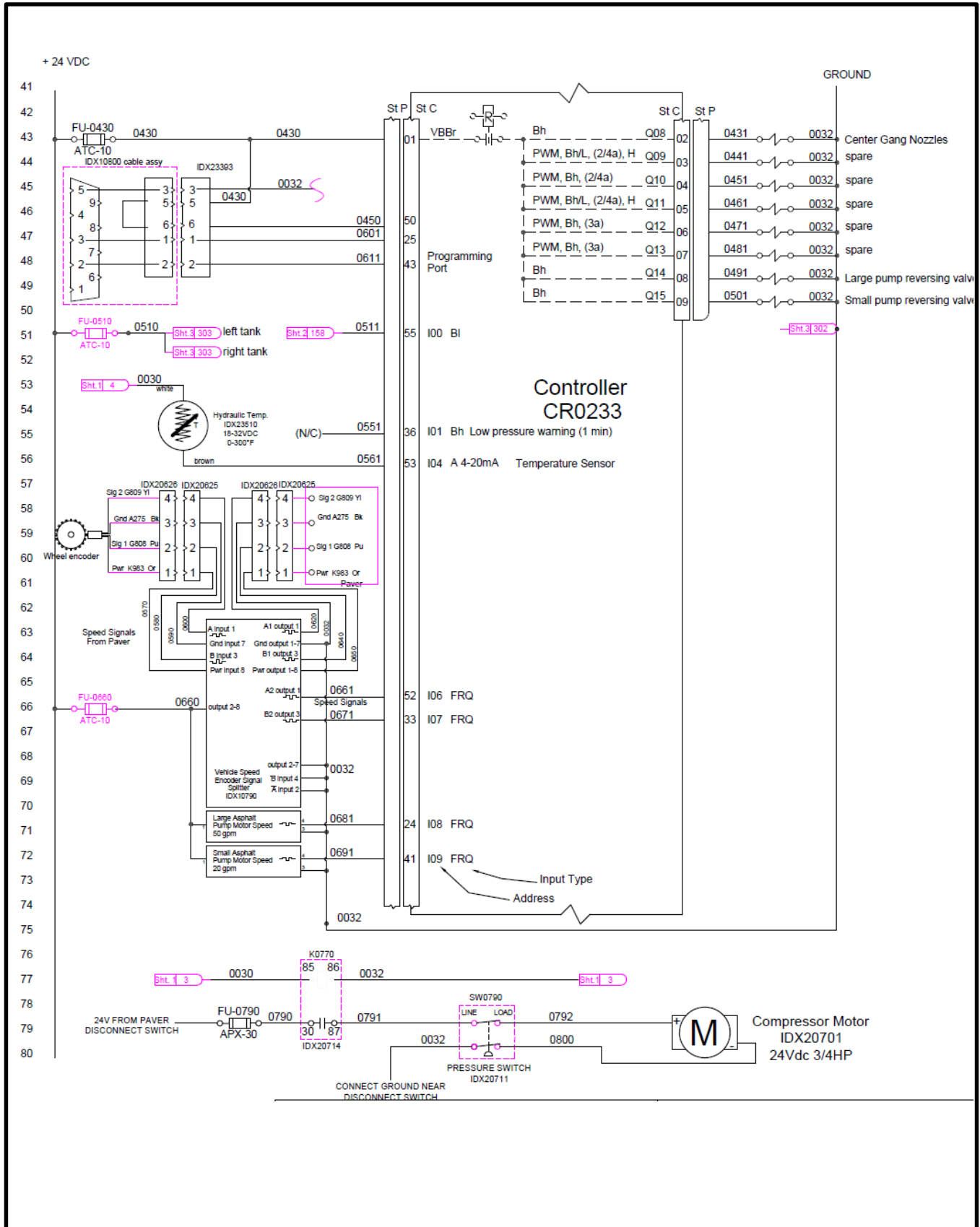
## Main Control Box

ITEM	PART NO.	QTY.	DESCRIPTION
1	IDX23210	1	ENCLOSURE MODIFIED
2	IDX23211	1	BACK PANEL
3	IDX10861	1	FUSE BLOCK, FOR ATC FUSES 12 C
4	IDX10791	10	ATC AUTOMOTIVE FUSE 10 AMP
5	IDX21033	1	DIN RAIL 37MMX1M
6	IDX10790	1	ENCODER SIGNAL SPLITTER
7	IDX20270	1	CONTROLLER, PROGRAMMED
8	IDX23370	1	RELAY DPDT 24V 50A
9	IDX21037	1	HANDLE LOCKING 1/4 TURN
10	IDX23268	1	ROTARY SWITCH 3 POLE, 3 POS
11	IDX23355	1	KNOB LARGE 6MM ROTARY
12	IDX20147	1	DECAL, TANK SELECT 1,2,3
13	IDX22041	4	HEX NUT #4-40
14	IDX22040	4	PHMS #4-40, 1/2 IN
15	IDX20078	6	WASHER, #10 TOOTH LOCK
16	IDX20012	6	HEX NUT, #10-24
17	IDX21043	6	PHMS #10-24, 1/2 IN
18	IDX21048	4	HEX NUT #8-32
19	IDX21047	4	PHMS #8-32, 1/2 IN
20	IDX21034	2	END PLATE DIN RAIL
21	IDX23336	100 FT	WIRE, 20 AWG GXL, GRY
22	IDX20140	2	CONCTR, AMP 55-POLE, WIRED
23	IDX23393	1	CONNECTOR PLUG 6 POS
24	IDX23394	1	WEDGE PLUG 6 POS
25	IDX10236	5	CONTACT SOCKET, 16
26	IDX20277	4	WASHER, #8 TOOTH LOCK
27	IDX23340	1	CONNECTOR SKT 26 PIN X 20AWG
28	IDX20615	1	CNCTR RECPT, 21 POS
29	IDX20613	1	CNCTR RECPT, 31 POS
30	IDX20617	2	CNCTR RECPT, 14 POS
31	IDX20611	1	CNCTR, RECPT, 18 POS
32	IDX20639	2	GASKET FOR HD SIZE 24 BLKHD
33	IDX20638	2	LK WSHR FOR FOR HD SIZE 24 BLKHD
34	IDX20637	2	JAM NUT FOR HD SIZE 24 BLKHD
35	IDX20636	3	GASKET FOR HD SIZE 18 BLKHD
36	IDX20635	3	LOCK WASHER FOR HD SIZE 18 BLKHD
37	IDX20634	3	JAM NUT FOR HD SIZE 18 BLKHD
38	IDX10235	61	CONTACT PIN, SIZE 16
39	IDX10254	4	CONTACT PIN, SIZE 12
40	IDX10266	16	SEAL PLUG, SIZE 12 & 16
41	IDX20631	17	CONTACT PIN, SIZE 20
42	IDX20633	4	CAVITY PLUG, 20
43	IDX10265	10	TERM FORK, 22-18 AWG #6 RED
44	IDX20672	12	TERM RING, 22-18 AWG #6 RED
45	IDX20673	50	TERM FORK, 22-18 AWG #8 RED

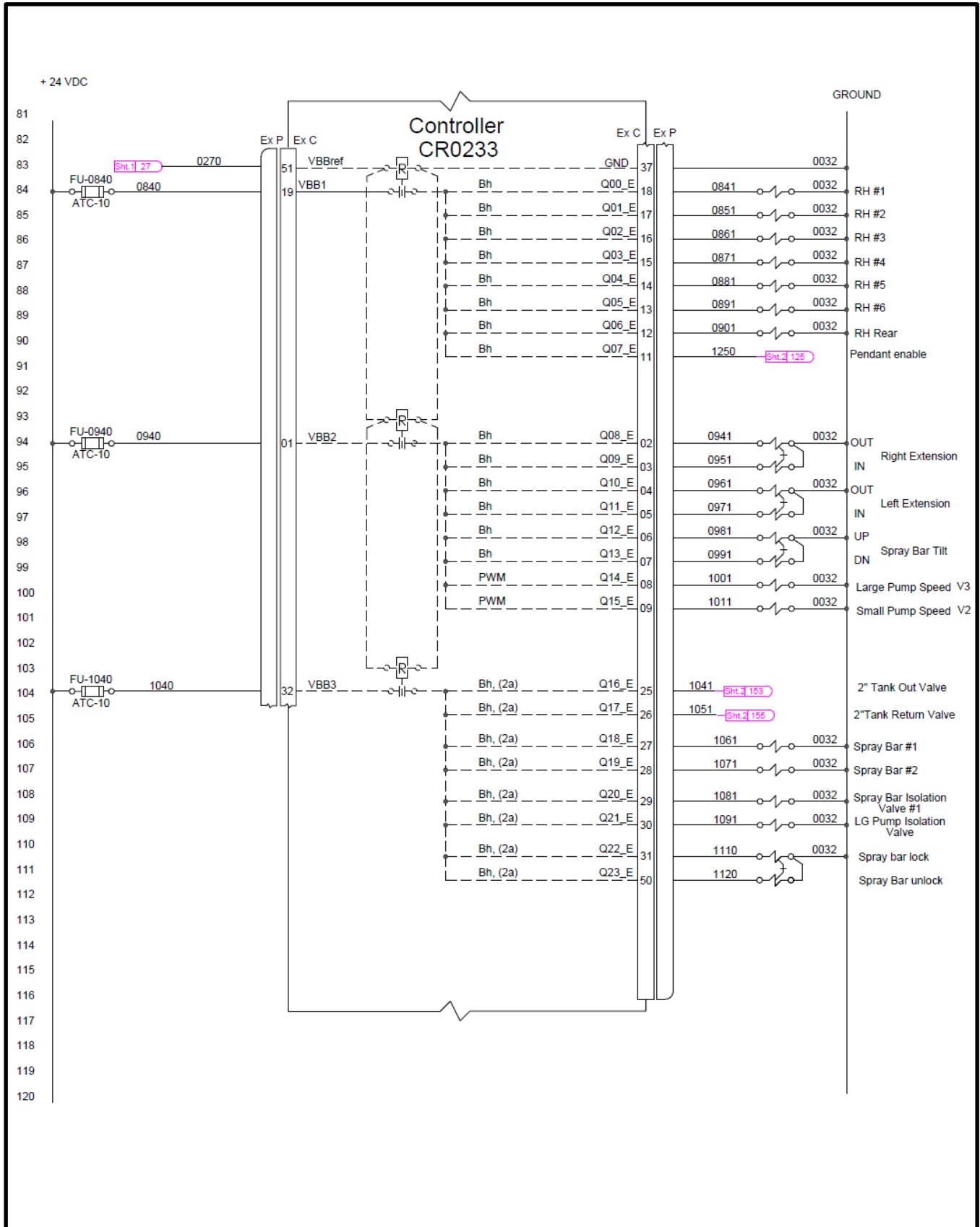
# Controls System Schematic



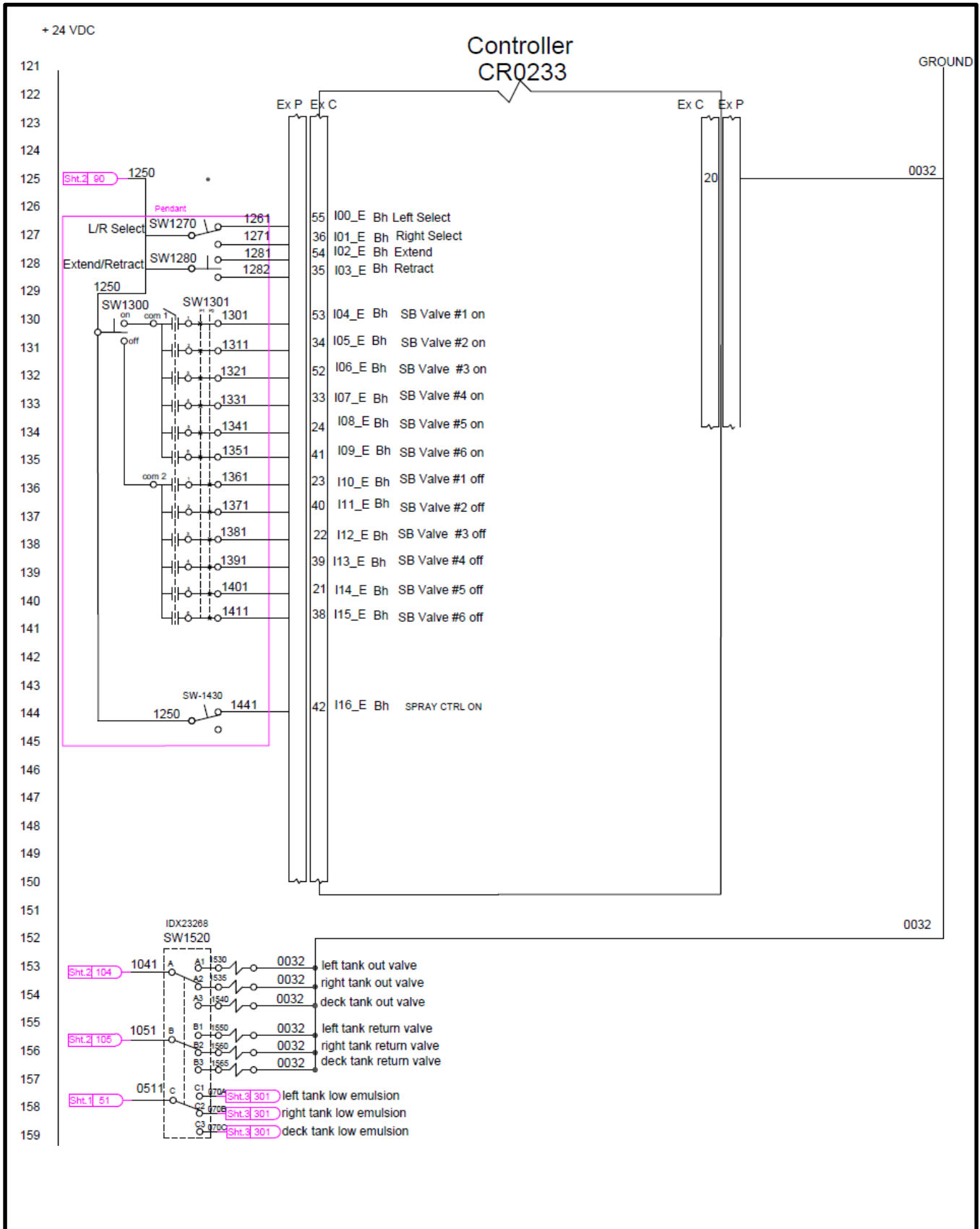
# Controls System Schematic



# Controls System Schematic



# Controls System Schematic



# Integral dx

121 N 1<sup>st</sup> Street  
Montevideo, MN 56265 USA  
T: 320.269.3227  
[www.integraldx.com](http://www.integraldx.com)  
[sales@integraldx.com](mailto:sales@integraldx.com)